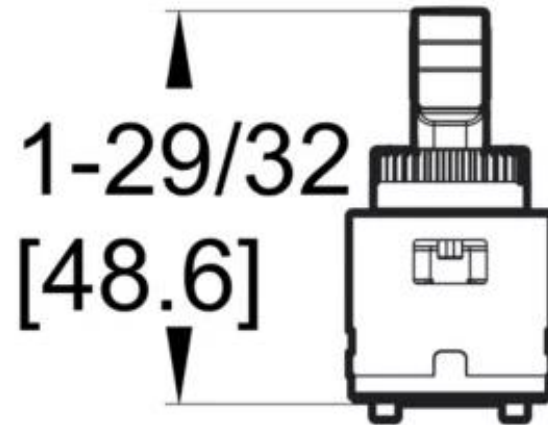




$31/32$
[25]



$1-29/32$
[48.6]