

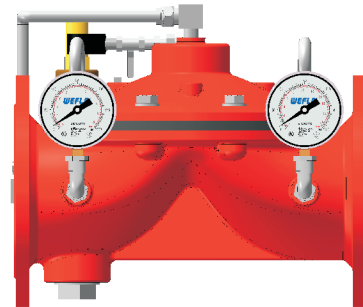
Pressure Reducing Valve

1320-300 FL

Specifications

- Pressure Reducing Valve: Reducing a higher upstream pressure into a lower, constant downstream pressure.
- Operates over a wide flow range.
- Set Pressure is adjustable with single screw.
- Can be maintained without removal from the pipe line.
- Flanged to EN1092-2 PN10/PN16, ANSI B16.1 Class125. (Other available on request)
- Adjustment Range of Outlet Pressure: 65 to 165 psi.
- Rated Working Pressure: 300 psi.
- Fusion Bonded Epoxy Coated Interior and Exterior to AWWA C550 Standard.
- FM 1362 Approved.

Schematic



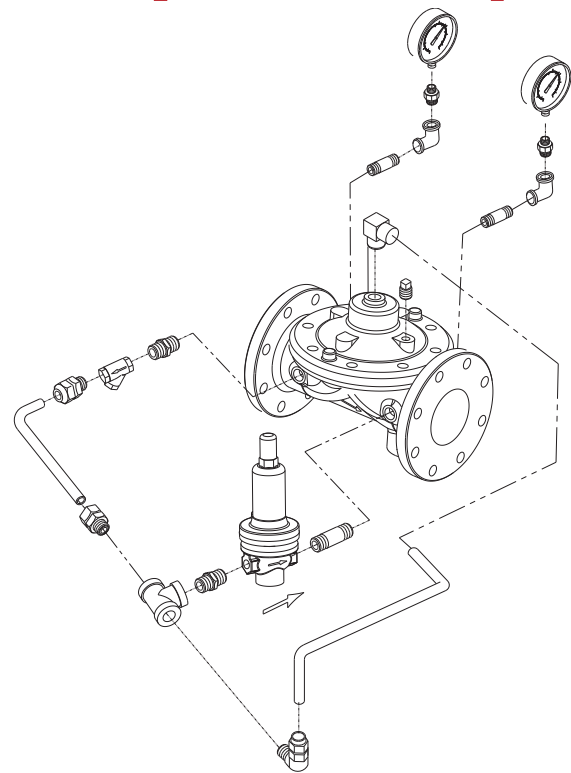
Parts List

Main Valve

Part	Material	ASTM Specification
Body	Ductile Iron	A536 Grade 65-45-12
Bonnet	Ductile Iron	A536 Grade 65-45-12
Diaphragm	Nylon Reinforced Natural Rubber/EPDM/NBR	
Spring Retainer	Ductile Iron	A536 Grade 65-45-12
Spring	Stainless Steel	A276 Type 304
Galvanized Bolt	Carbon Steel	A307 Grade B
Galvanized Washer	Carbon Steel	A307 Grade B

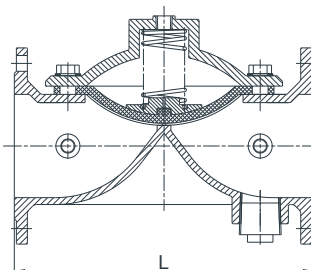
Trim

Components	Material
Main Valve	Assembly
Pressure Reducing Pilot	Bronze
Restriction Orifice	Stainless Steel 304
Y-Strainer	Stainless Steel 304
Tubing/Fittings	Stainless Steel 304
Pressure Gauge	Assembly



Main Dimensions (mm/inch)

Size	2	2.5	3	4	5	6	8	10	12
L	233/9.2	290/11.5	310/12.2	356/14.0	370/14.5	436/17.2	530/20.8	636/25	835/32.8



Notes

- 2" to 10" valves are FM approved.
- Designs, materials and specifications shown are subject to change without notice due to the continuous development of our products.

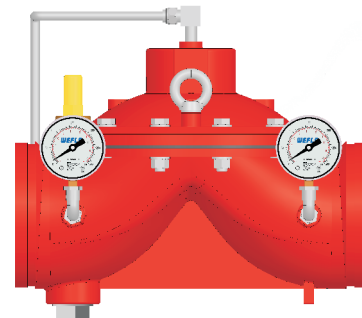
Pressure Reducing Valve

1320-300 GR

Specifications

- Pressure Reducing Valve: Reducing a higher upstream pressure into a lower, constant downstream pressure.
- Operates over a wide flow range.
- Set Pressure is adjustable with single screw.
- Can be maintained without removal from the pipe line.
- Grooved Ends to AWWA C606 Standard.
- Adjustment Range of Outlet Pressure: 65 to 165 psi.
- Rated Working Pressure: 300 psi.
- Fusion Bonded Epoxy Coated Interior and Exterior to AWWA C550 Standard.
- FM 1362 Approved.

Schematic



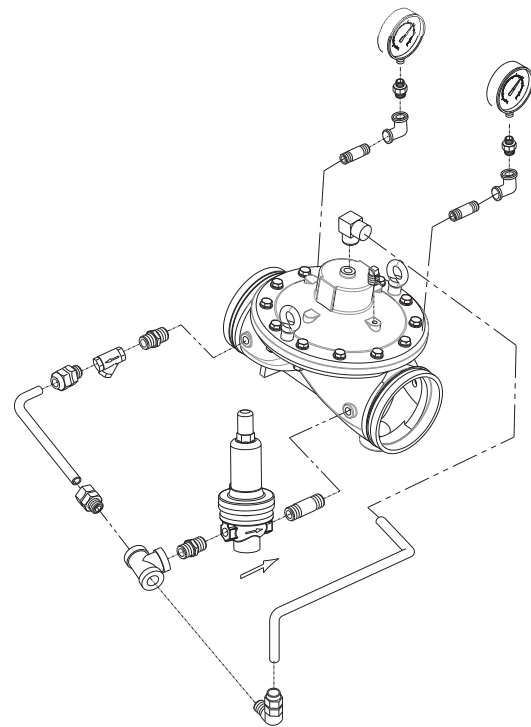
Parts List

Main Valve

Part	Material	ASTM Specification
Body	Ductile Iron	A536 Grade 65-45-12
Bonnet	Ductile Iron	A536 Grade 65-45-12
Diaphragm	Nylon Reinforced Natural Rubber/EPDM/NBR	
Spring Retainer	Ductile Iron	A536 Grade 65-45-12
Spring	Stainless Steel	A276 Type 304
Galvanized Bolt	Carbon Steel	A307 Grade B
Galvanized Washer	Carbon Steel	A307 Grade B

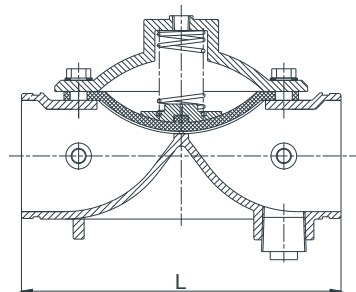
Trim

Components	Material
Main Valve	Assembly
Pressure Reducing Pilot	Bronze
Restriction Orifice	Stainless Steel 304
Y-Strainer	Stainless Steel 304
Tubing/Fittings	Stainless Steel 304
Pressure Gauge	Assembly



Main Dimensions (mm/inch)

Size	2	2.5	3	4	5	6	8	10	12
L	233/9.2	290/11.5	310/12.2	356/14.0	370/14.5	436/17.2	530/20.8	636/25	835/32.8



Notes

- 2" to 10" valves are FM approved.
- Designs, materials and specifications shown are subject to change without notice due to the continuous development of our products.