

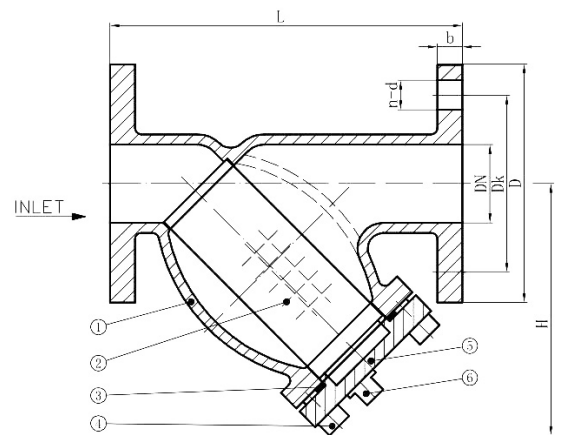
850 Series Cast Iron Flanged Wye Strainer

FEATURES

- CAST IRON BODY
- SINGLE DISK
- STAINLESS STEEL 316 SPRING & DISK
- SUITABLE MEDIA: WATER, OIL, GAS
- WORKING PRESSURE: 200 PSI
- SIZES 2" - 18"

TEST PRESSURE

- SHELL: 350 PSI
- SEAT: 200 PSI



COMPONENTS			
NO.	PART	MATERIAL	STANDARD
1	BODY	CAST IRON	ASTM A126 CLASS B
2	SCREEN	STAINLESS STEEL	ASTM SS304
3	BODY GASKET	GRAPHITE	NON ASBESTOS
4	BOLTS	STEEL	ASTM A307B
5	COVER	CAST IRON	ASTM A126 CLASS B
6	PLUG	CAST IRON	ASTM A126 CLASS B

DIMENSIONS						(INCHES)
SIZE	L	Dk	D	b	n-d	
2"	8.87	4.76	5.98	0.63	4-19	
2 1/2"	10.75	5.51	7.01	0.69	4-19	
3"	11.50	6.00	7.48	0.75	4-19	
4"	13.86	7.50	9.03	0.94	8-19	
5"	16.38	8.50	10.00	0.94	8-22	
6"	18.50	9.50	10.98	1.00	8-22	
8"	21.38	11.75	13.50	1.13	8-22	
10"	26.00	14.25	15.98	1.19	12-25	
12"	30.00	17.01	19.02	1.25	12-25	
14"	37.36	18.74	20.98	1.38	12-29	
16"	42.50	21.26	23.50	1.44	16-29	
18"	47.24	22.76	25.00	1.56	16-32	