

**NEW PRODUCT PREVIEW**
**TBH Series  
True Union Ball Valves**

2-1/2" TO 6" PVC AND CPVC

**KEY FEATURES**

- Available in PVC and CPVC
- Full Port Design Through 4"
- ISO Mounting Flange
- Lockout/Tagout Standard
- Ergonomic GFPP handle for improved grip and comfort
- Permanent Markings
- Reversible PTFE Seats
- Double O-Ring Stem Seals
- NSF / ANSI 61 and NSF / ANSI 372 Listed

**OPTIONS**

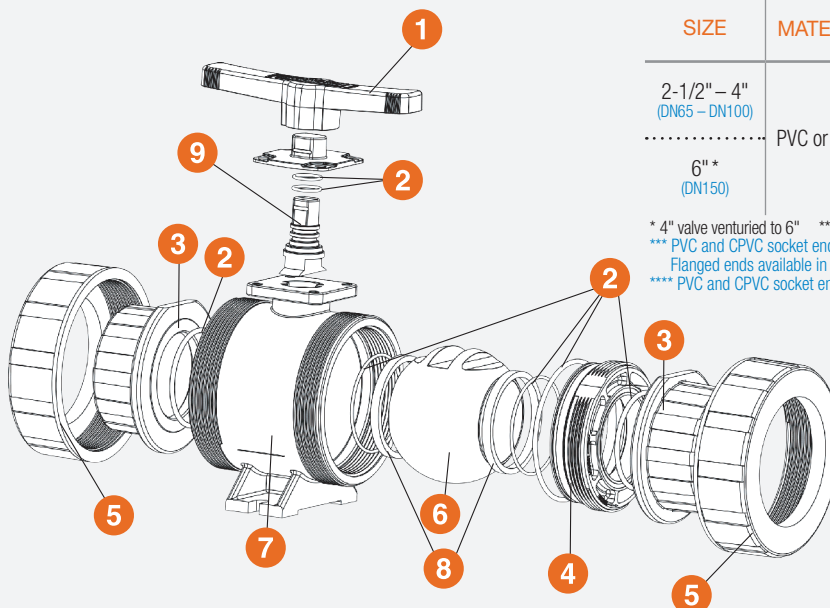
- Pneumatic and Electric Actuators
- Stem Extensions
- Limit Switch LHB Series

**MATERIALS**

- PVC Cell Class 12454 per ASTM D1784
- CPVC Cell Class 23447 per ASTM D1784
- GFPP Cell Class 85580 per ASTM D4101
- FPM and EPDM O-Ring Seals


**NSF**

 Certified to  
NSF/ANSI 61 & 372  
2-1/2" – 6"

**TECHNICAL INFORMATION**
**EXPLODED VIEW**

**SELECTION CHART**

SIZE	MATERIAL	END CONNECTION	SEALS	PRESSURE RATING
2-1/2" – 4" (DN65 – DN100)	PVC or CPVC	Socket, Threaded or Flanged**	FPM or EPDM	235 PSI @ 70°F 16 Bar @ 21°C Non-Shock
6"* (DN150)		Flanged		150 PSI @ 70°F 10 Bar @ 21°C Non-Shock

\* 4" valve venturied to 6"    \*\* All flanged valves are rated to 150 PSI @ 70°F Non-Shock (10 Bar @ 21°C)  
 \*\*\* PVC and CPVC socket ends available to ISO 727-1 and threaded ends to BS21.  
 Flanged ends available in DIN / EN PN10.  
 \*\*\*\* PVC and CPVC socket ends available to JIS K 6743 and threaded ends to JIS B 0203.



# TBH Series True Union Ball Valves

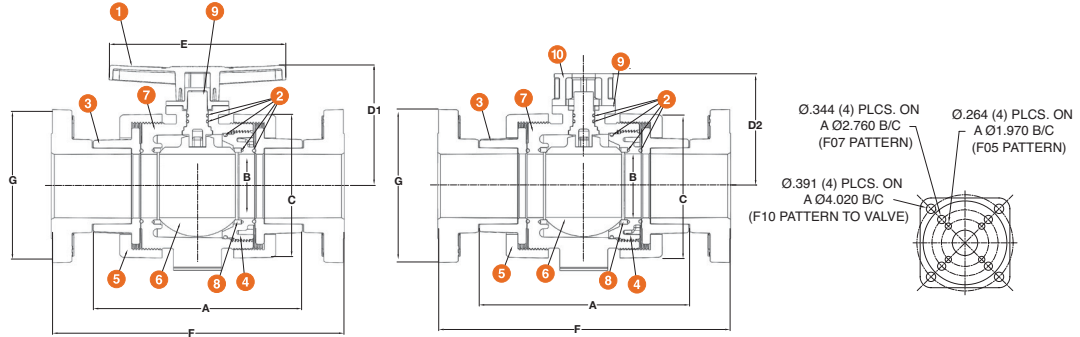
2-1/2" TO 6" PVC AND CPVC

## TECHNICAL INFORMATION, CONTINUED

### PARTS LIST

1. Handle
2. O-Ring Seals
3. End Connector
4. Seal Retainer
5. Union Nut
6. Ball
7. Body
8. PTFE Seat
9. Stem
10. Actuator Mounting Bracket\*

\* Mounting bracket sold separately



### DIMENSIONS

SIZE in / DN	A in / mm	B in / mm	C in / mm	D1 in / mm	D2 in / mm	E in / mm	F in / mm	G in / mm	WEIGHT lbs / kg	
									SOC / THD	FLANGED
2-1/2 / 65	10.68 / 271	2.75 / 70	6.66 / 169	6.7 / 170	6.17 / 157	10.50 / 267	14.65 / 372	7.00 / 178	11.30 / 5.13	15.30 / 6.94
3 / 80*	10.56 / 268	2.75 / 70	6.66 / 169	6.7 / 170	6.17 / 157	10.50 / 267	14.60 / 371	7.90 / 200	11.30 / 5.13	15.30 / 6.94
4 / 100*	12.30 / 312	3.81 / 97	8.56 / 217	7.2 / 183	6.64 / 168	10.50 / 267	17.26 / 438	8.96 / 228	18.50 / 8.39	25.70 / 11.66
6 / 150*	N/A	3.81 / 97	8.56 / 217	7.2 / 183	6.64 / 168	10.50 / 267	19.26 / 489	11.00 / 279	N/A	30.75 / 13.95

Dimensions are subject to change without notice – consult factory for installation information

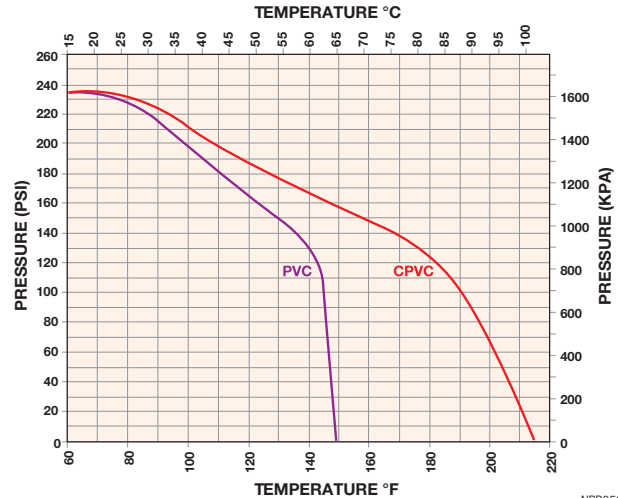
\* Metric End Connections Available In: BSP – Straight Thread, BSP TR – Tapered Thread and Metric Socket

\*\* Flange ends comply to ANSI150 bolt pattern, PN10 or JIS10K available upon request

### Cv VALUES

SIZE in / DN	Cv VALUES	SIZE in / DN	Cv VALUES
2-1/2 / 65	340	4 / 100	600
3 / 80	490	6 / 150	550

### OPERATING TEMPERATURE/PRESSURE



Hayward is a registered trademark of Hayward Industries, Inc. © 2020 Hayward Industries, Inc.

USA: 1.888.429.4635 • Fax: 1.888.778.8410 • One Hayward Industrial Drive • Clemmons, NC 27012 • Email: hfcsales@hayward.com  
 Canada: 1.888.238.7665 • Fax: 1.905.829.3636 • 2880 Plymouth Drive • Oakville, ON L6H 5R4 • Email: hflowcanada@hayward.com  
 Visit us at: haywardflowcontrol.com

NIPP0520