



LED SHOEBOX 90W FIXTURE



This LED Shoebox fixture has a beautiful low profile design intended for outdoor applications, combines the latest in LED technology including weather tight IP65 LED driver and thermal management and high-performance illumination that lasts 100,000HRS. It's ideal for replacing 175-250W metal halide, with typical energy savings of 80%.

Performance Summary

Model: LED SB90SST3
 Philips Lumileds LED chips
 High-quality UL Driver
 Dark bronze polyester powder finish.
 UL and cUL listed, DLC listed and RoHS compliant.
 CRI >70.
 CCT: 5000K,(+/- 300K)
 Limited Warranty: 5 years on luminaries



Applications:

General area and security lighting

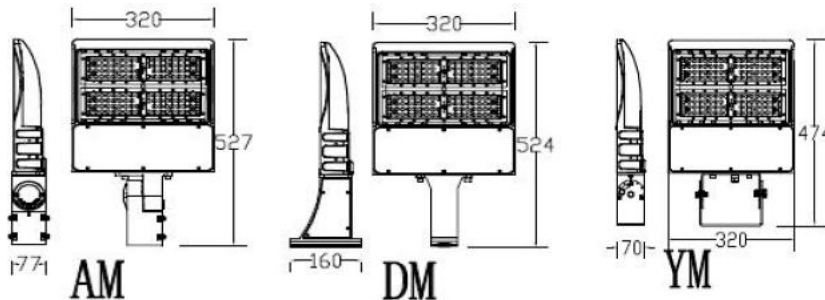
Electric Characteristic:

Watts: 90W
 Input Voltage: 120-277V 50/60 HZ
 Lumens: 12,150-13,000 lm
 Light Distribution: TYPE III
 PF: >0.9
 IP 65



Dimensions

(Fixture with mounting bracket)

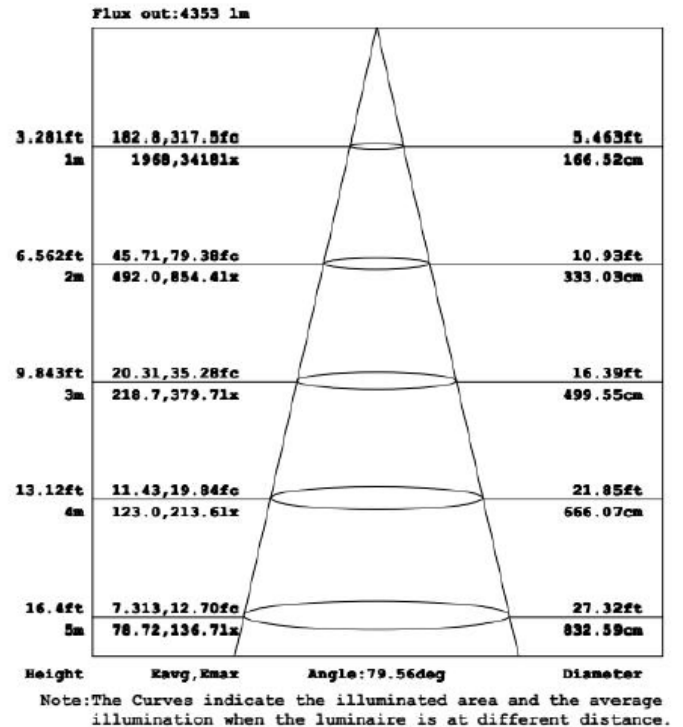
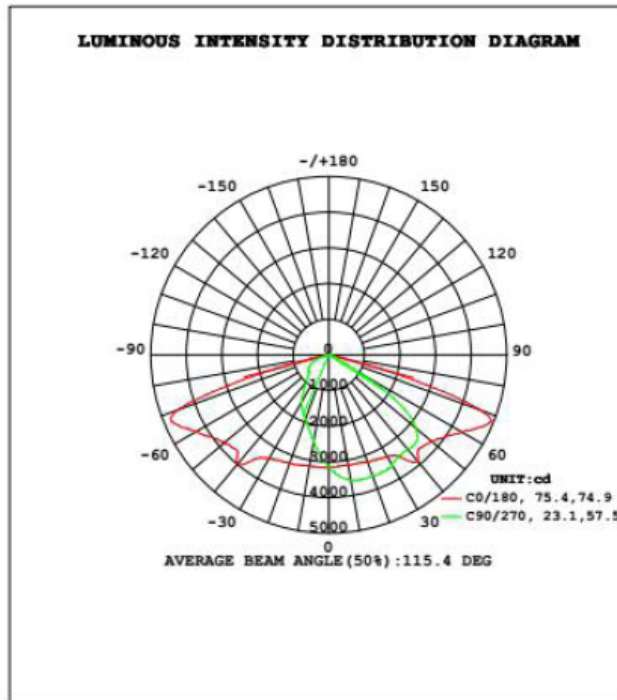


Mounting Bracket	Dimensions (mm)	Dimensions (inches)
Slip Fitter (AM)	527 x 320 x 77 mm	20.75 x 12.6 x 3.03 inches
6" Arm (DM)	524 x 320 x 160 mm	20.63 x 12.6 x 6.3 inches
U Bracket (YM)	474 x 320 x 70 mm	18.66 x 12.6 x 2.76 inches

5220 N.W. 72nd Ave. Bays 30-35 Miami, FL 33166
 Tel: 305-629-8122 Fax: 305-629-8121 Toll Free: 1-800-426-2577
 Toll Free Fax: 1-800-355-3186

Website: www.excelites.com Email: excelltd@bellsouth.net, or excellbae@yahoo.com

Photometric Diagrams



After Service:

The product refers to electric knowledge. Please don't disassemble it by yourself. If any quality problem happens, please contact the factory, for warranty details, contact factory.

NOTE: Actual performance may differ as a result of end-user environment and application. All values are design or typical values, measured under laboratory conditions at 25°C. Specifications subject to change without notice