

2621

Locking Plug, 30 Amp, 250 Volt, Industrial Grade, Black & White

30 Amp, 250 Volt, NEMA L6-30P, 2P, 3W, Locking Plug, Industrial Grade, Grounding - Black/White

Leviton's Black & White line of industrial grade plugs, connectors, flanged inlets, and outlets offer superior performance, long lasting reliability and features that are backed by a limited lifetime warranty:

- One piece contacts reduce friction and overheating
- Unique cord clamp accepts wide range of cord sizes (.245"-.700")
- Rugged nylon construction resists impact, sunlight, chemicals, and rough use
- Industry exclusive limited lifetime warranty
- Made proudly in the USA
- Ideal for transfer switches, compressors, and generators



UPC Code : 078477807958

Country Of Origin : United States

RoHS Compliant : Yes



Available Colors :



Black



Yellow-White

Technical Information

Mechanical Specifications

At Rated Voltage : 2 HP

Cord Range : 0.520 to 0.930

Product ID : Ratings are permanently marked on device

Terminal Accom. : 18-10 AWG

Terminal ID : Brass-Hot, Green-Ground, Silver-Neutral

Torque Range : 10-14 in-lbs

Wire Gauge : 16-8 AWG

Electrical Specifications

Amperage : 30 A

Current Interrupting : Certified for current interrupting at full rated current

Dielectric Voltage : Withstands 2000V per UL498

Grounding : Grounding

Pole : 2

Temperature Rise : Max 30C after 250 cycles OL at 200 percent rated current

Voltage : 250 VAC

Wire : 3

Environmental Specifications

Environment : Dry

Flammability : Rated HB or better UL94

Operating Temperature : -40°C to 60°C

Material Specifications

Assembly Screws : Steel, Zinc Plated

Back Cover : Thermoplastic

Blades/Contacts : Solid Brass

Body Material : Impact Modified Nylon

Clamp Insert : Nylon

Color : Black-White

Cord-Clamp : Nylon

Terminal Screws : Brass

Wire Module : Nylon

Product Features

Brand : Black and White

Color : Black-White

Device Type : Locking Plug

NEMA : L6-30P

Standards and Certifications

ANSI : C-73

CSA C22.2 No. 42 : File LR-406

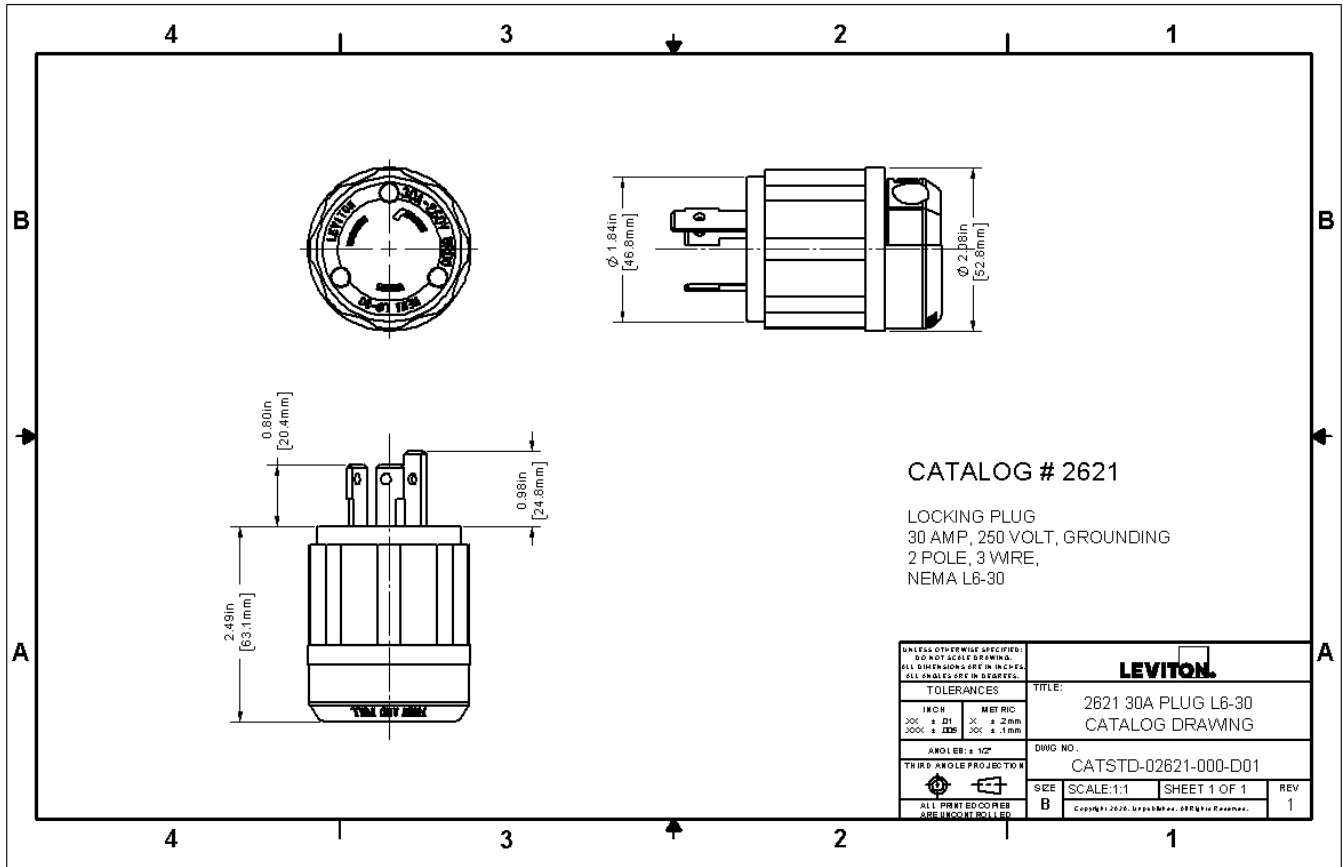
NEMA : WD-6

NOM : 057

UL Fed Spec WC-596 : File E13393

UL498 : File E13393

Warranty : Limited Lifetime Warranty Warranty



SPECIFICATION SUBMITTAL

JOB NAME: <input type="text"/>	CATALOG NUMBERS: <input type="text"/>
JOB NUMBER: <input type="text"/>	<input type="text"/>

Leviton Manufacturing Co., Inc.

201 North Service Road, Melville, NY 11747

Telephone: +1-800-323-8920 · FAX: +1-800-832-9538 · Tech Line (8:30AM-7:30PM E.S.T. Monday-Friday):
+1-800-824-3005

Leviton Manufacturing of Canada, Ltd.

165 Hymus Boulevard, Pointe Claire, Quebec H9R 1E9 · Telephone: +1-800-469-7890 ·
FAX: +1-800-824-3005 · www.leviton.com/canada

Leviton S. de R.L. de C.V.

Lago Tana 43, Mexico DF, Mexico CP 11290 · Tel.: (+52)55-5082-1040 · FAX: (+52)5386-
1797 · www.leviton.com.mx

Visit our Website at: www.leviton.com

© 2021 Leviton Manufacturing Co., Inc. All Rights Reserved. Subject to change without notice.

Leviton has a global presence.

If you would like to know where your local Leviton office is located please go to:
www.leviton.com/international/contacts/

