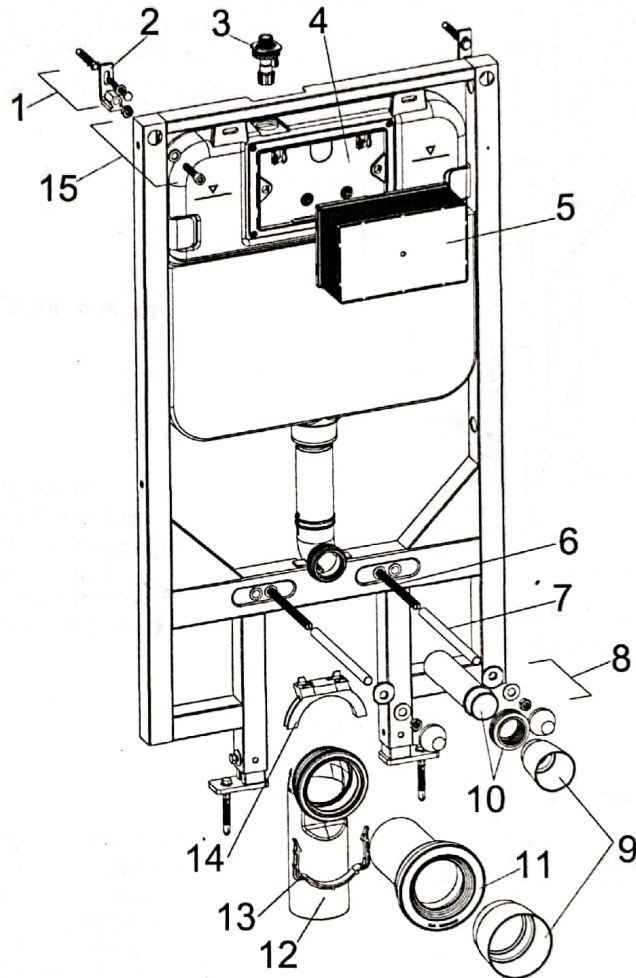


Frame-structure

Concealed Cistern

Installation Manual



List of main installation accessories

NO.	Description	Qty	Function
1	Expansion screw	4	Mounting of frame and wall bracket
2	Wall bracket	2	Fixation of frame
3	Angle valve	1	Fill valve inlet and shut-off
4	Cistern cover	1	Airproof tank and mounting of locking bracket
5	Plastic holder	1	To reserve space for installation of actuator at wall building To prevent dust and impurities into tank at wall building
6	Connecting screw	2	To mount ceramic bowl
7	Protective cover	2	To protect connecting screw at wall building
8	Ceramic bowl fixing accessories	2	To mount ceramic bowl
9	Piping stopper	2	To reserve space for straight tube and connecting pipe
10	Straight tube	1	To joint cistern into ceramic bowl
11	Connecting pipe	1	(cutting in accordance with wall thickness)
12	Discharge pipe	1	To discharge liquid and solid waste from ceramic bowl.
13	Mounting bracket	1	To mount draining syphon
14	Discharge pipe holder	1	
15	Socket head screw	2	Mounting of frame and locking into wall bracket

Important instruction:

1. Please adhere to the following installation instructions. We shall not be responsible for failures and loss that are contributed to improper installation.
2. Please confirm the fixation location of cistern prior to installation and obtain the finished floor surface. Draw FFL on installation wall and follow it as baseline from ZERO (0) level.
3. The instructions have been composed based in the latest product specifications. We reserve the right to make modifications to the packaging and specifications without providing prior notification.

NOTES:

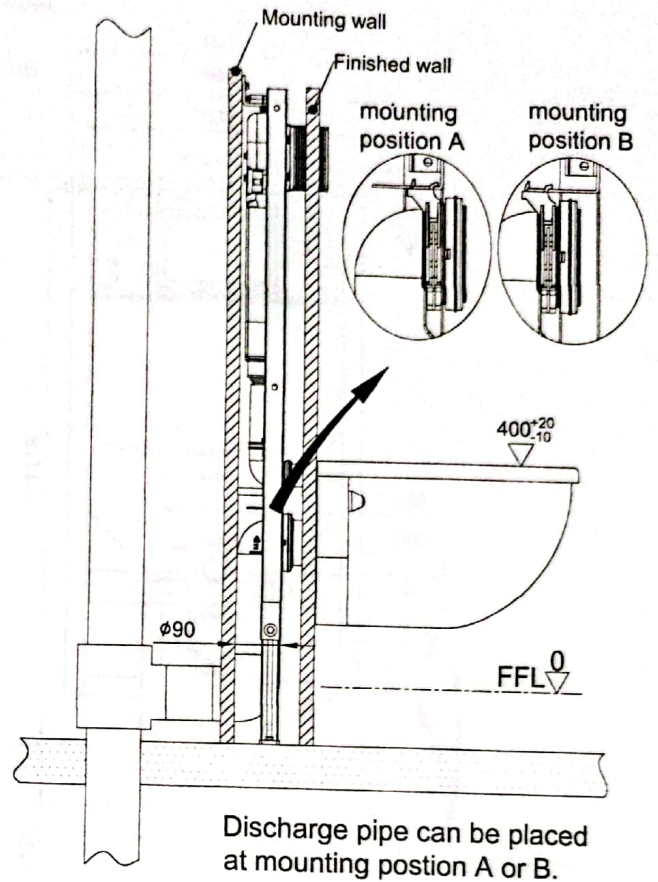
1. Mount before bricks building.
2. All size unit in MM.
3. Follow the material product, should there is an unconformity with drawing.

! FFL 0 = Finished Floor.

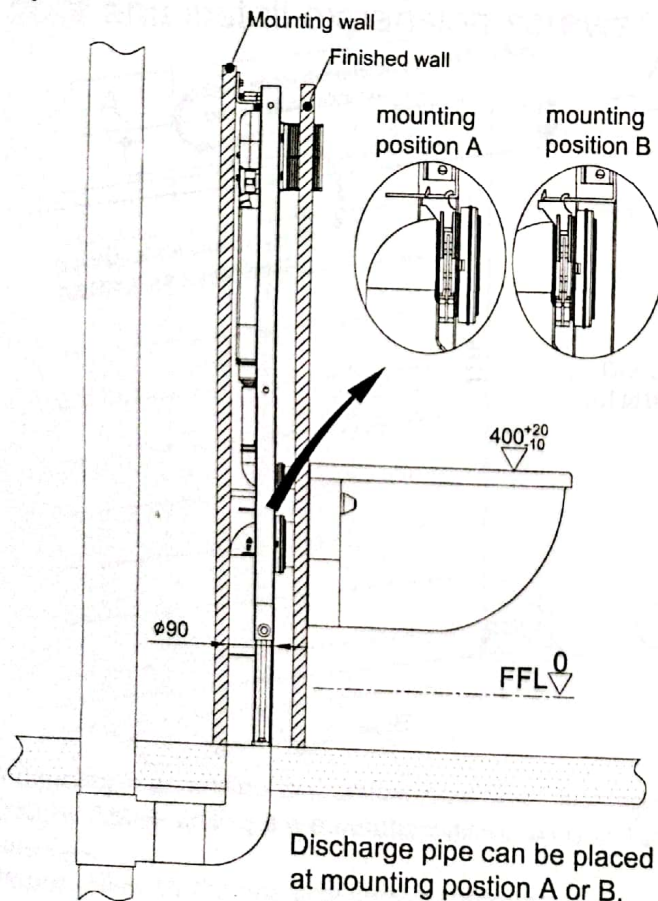
1. Drainage System Layout

Drawing 1 to 3 are three different installation systems for drain pipe. Customer should confirm whichever installation system according to drainage outlet position. If drainage outlet does not fall within the three systems, customer should follow one of three drainage system layout to correspond installation of our concealed cistern.

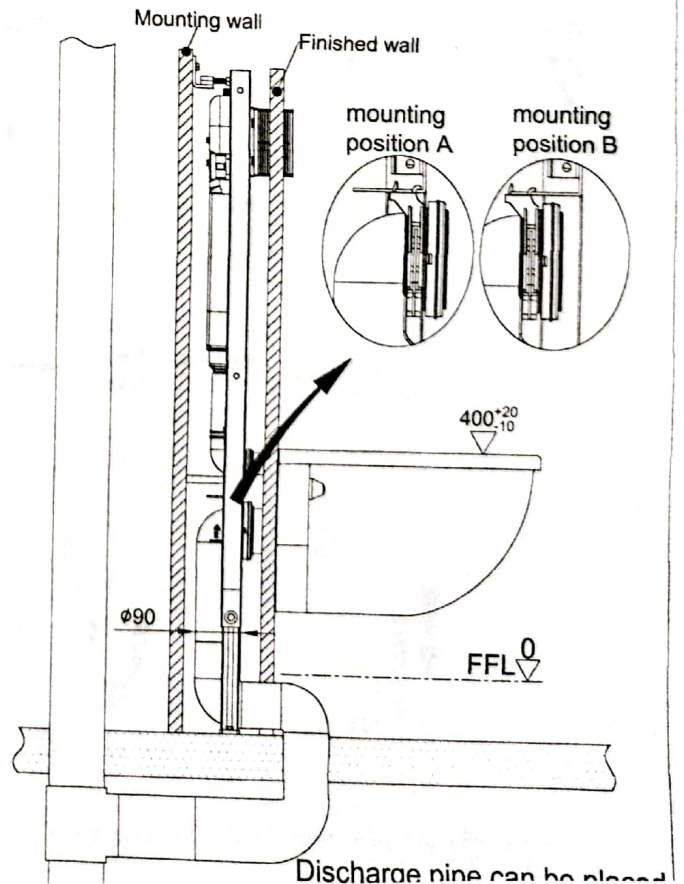
Option 1



Option 2

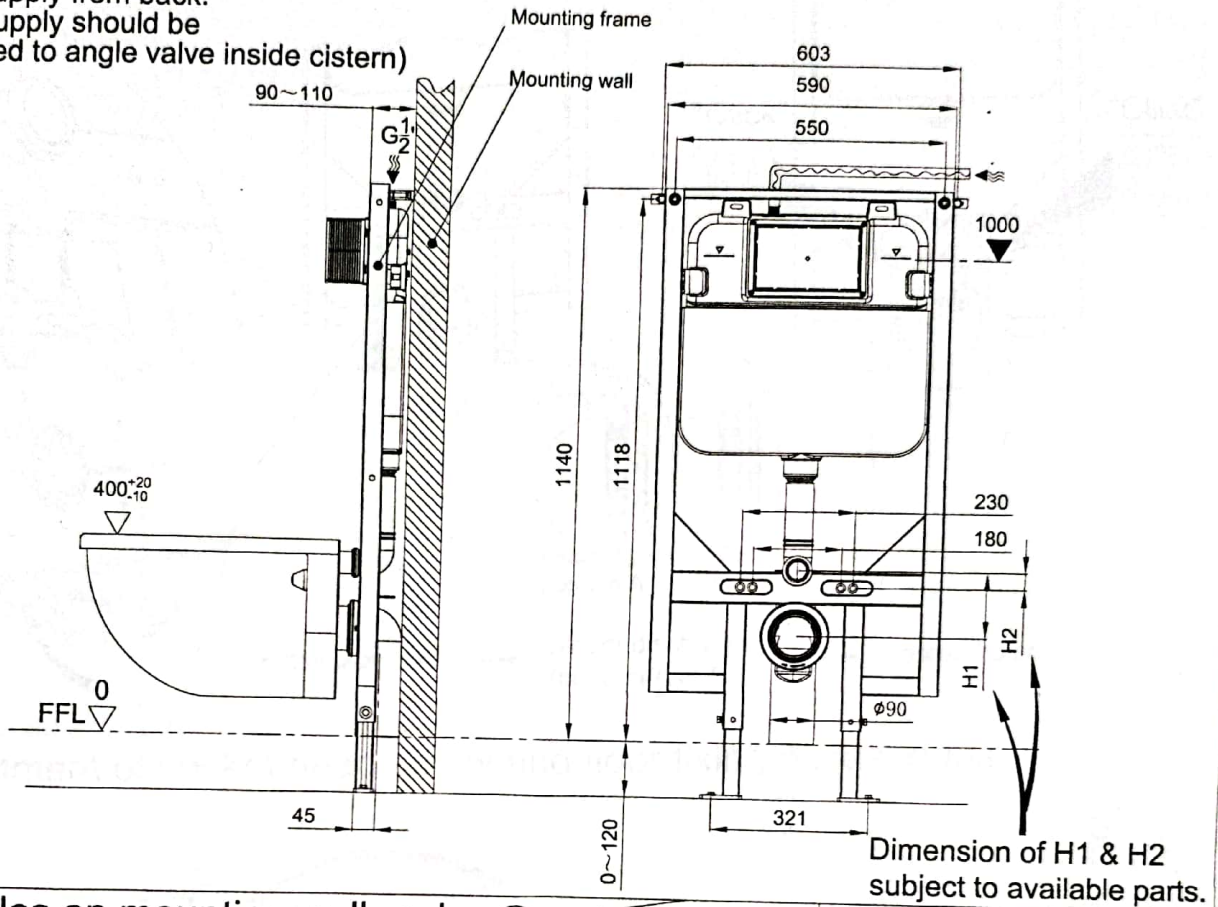


Option 3

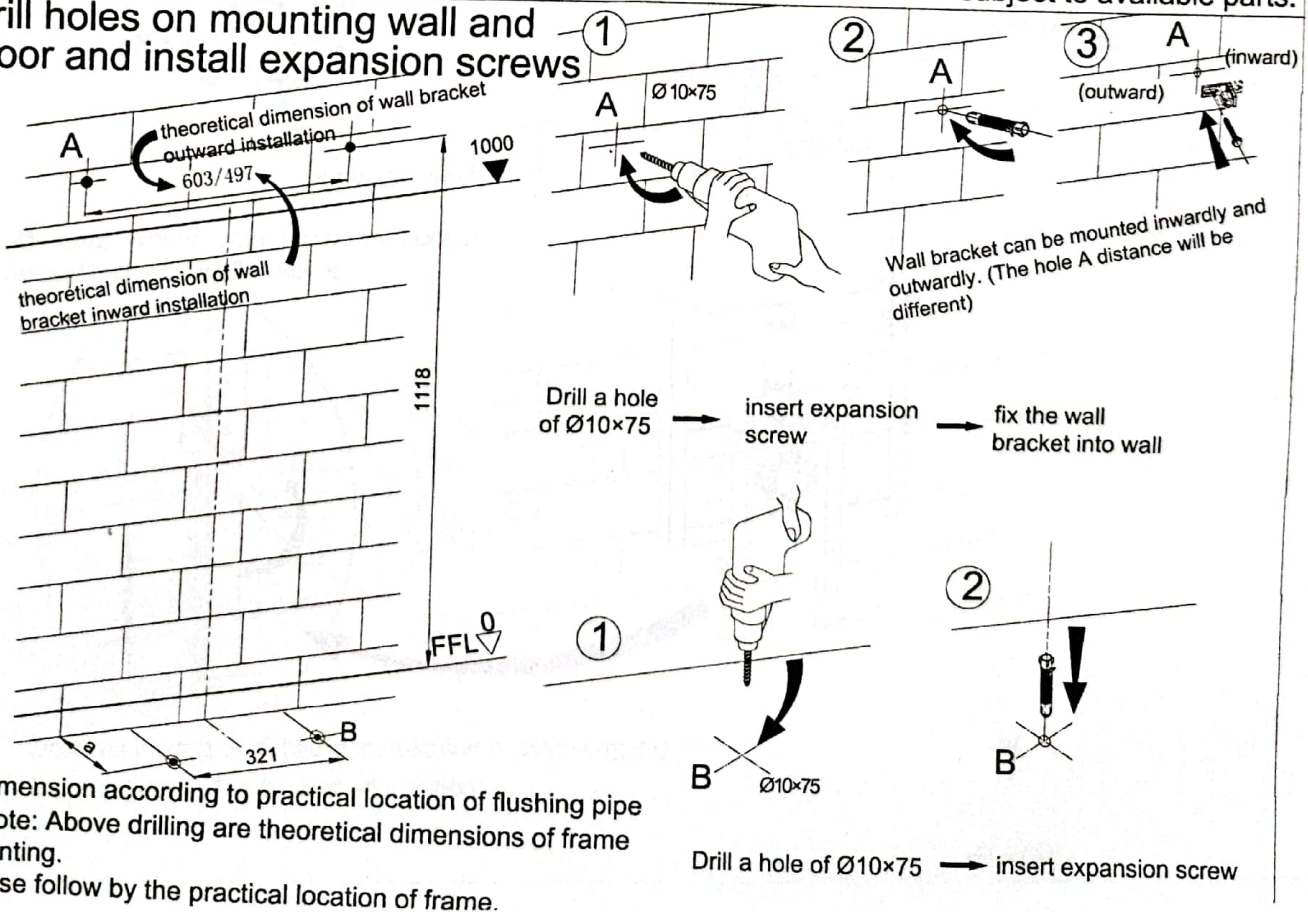


2. General dimension and water supply drawing

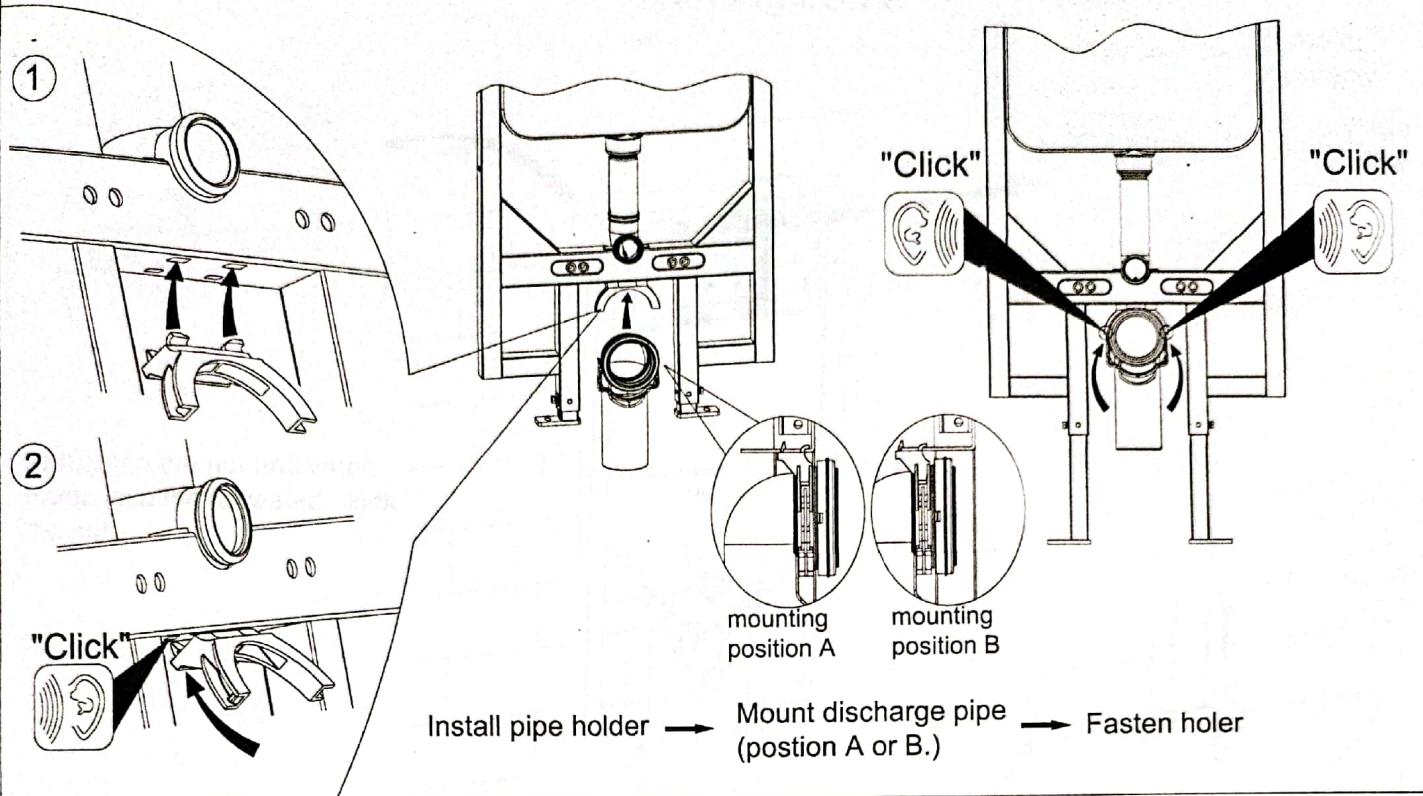
Water supply from back.
(water supply should be connected to angle valve inside cistern)



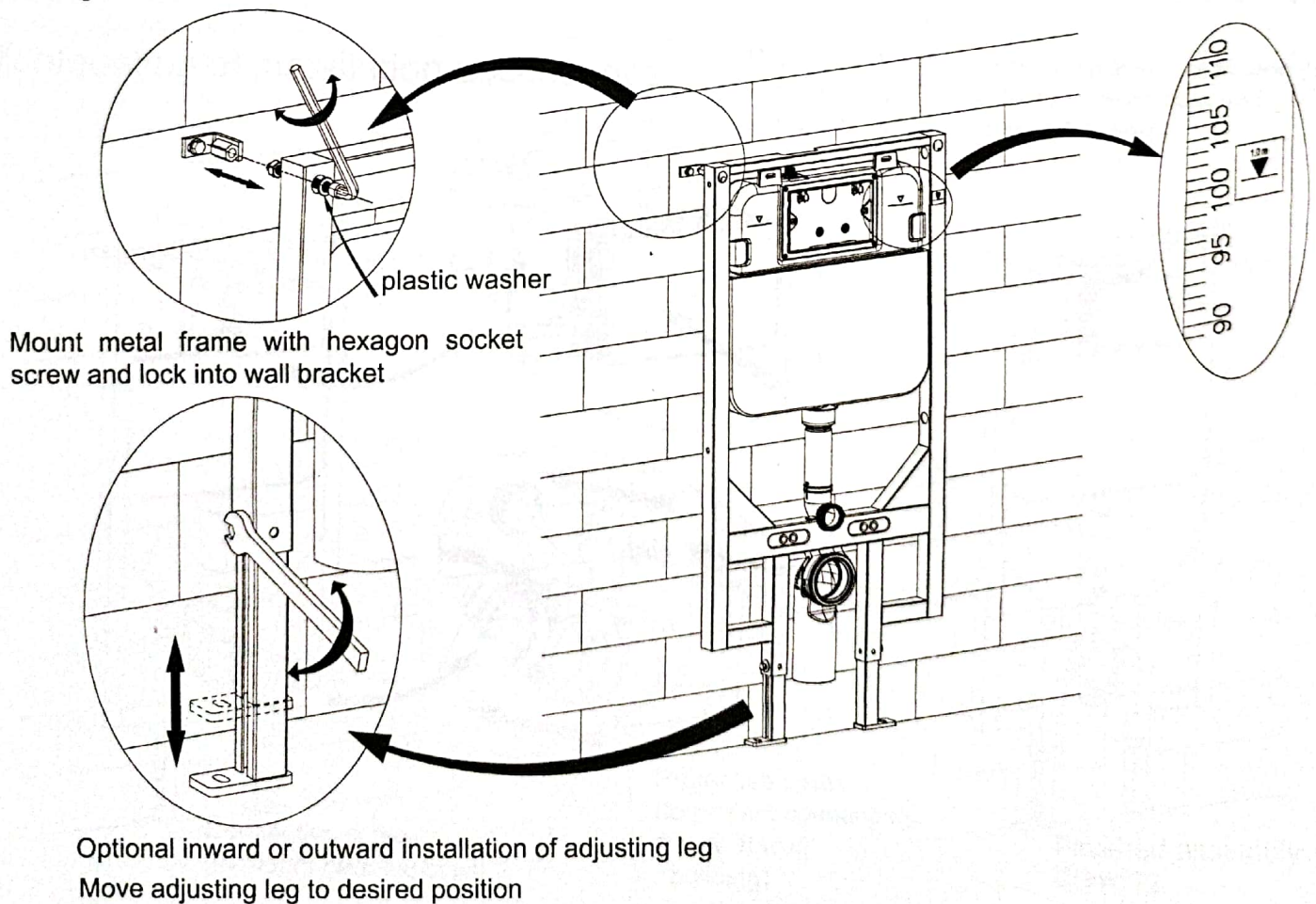
3. Drill holes on mounting wall and floor and install expansion screws



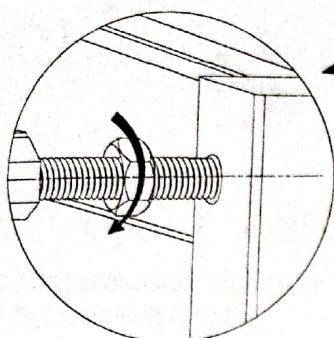
4. Installation of draining syphon



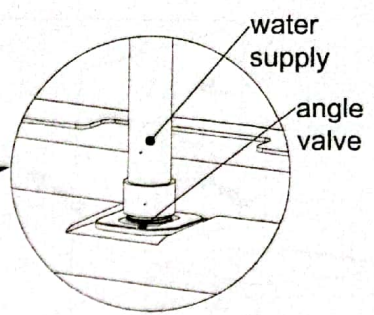
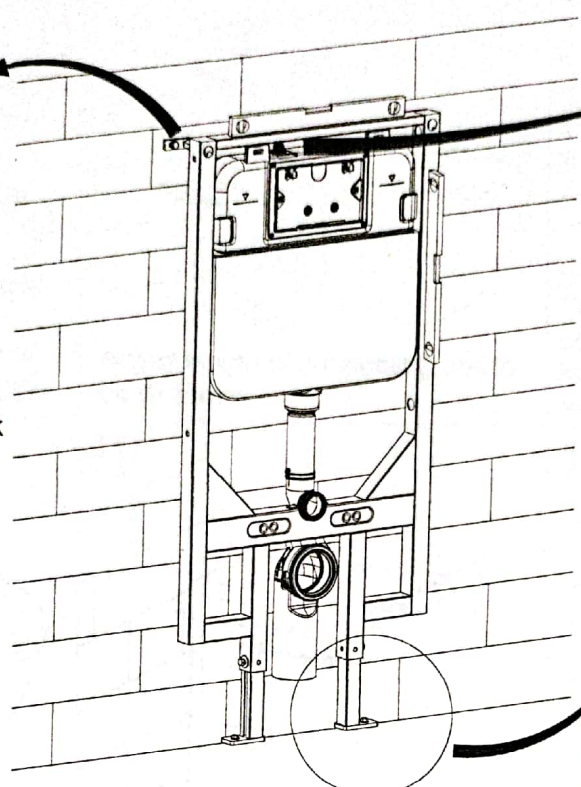
5. Adjustment of socket head screw and floor fixing accessories



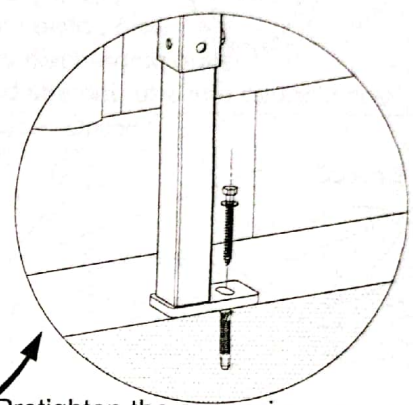
6. Adjustment and fixation of mounting frame



Pretighten the nut and when frame location is seated, lock the nut.



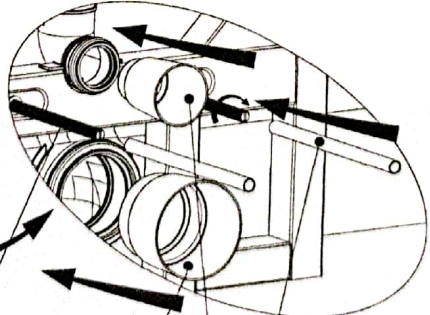
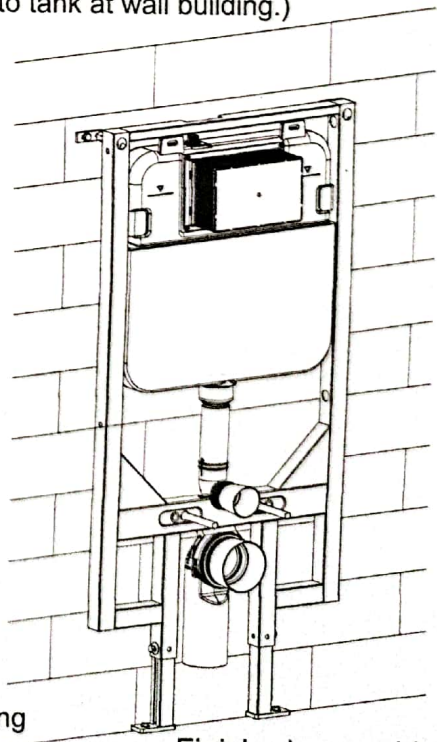
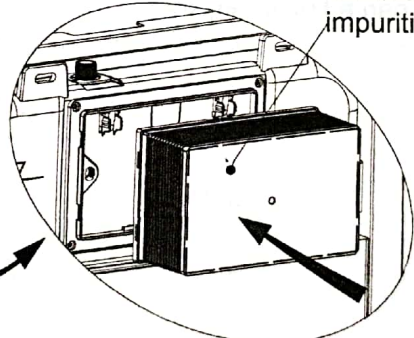
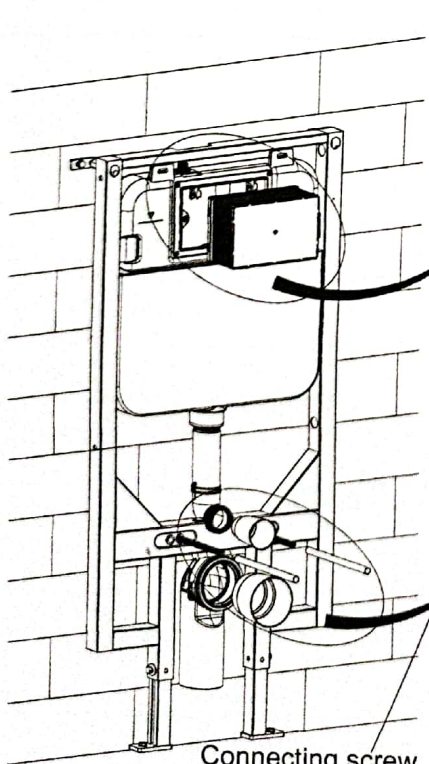
water supply
angle valve



Pretighten the expansion screw and when frame location is seated, lock screw.

7. Mounting of installation accessories

Plastic holder (to reserve space for installation of actuator at wall building, to prevent dust and impurities into tank at wall building.)



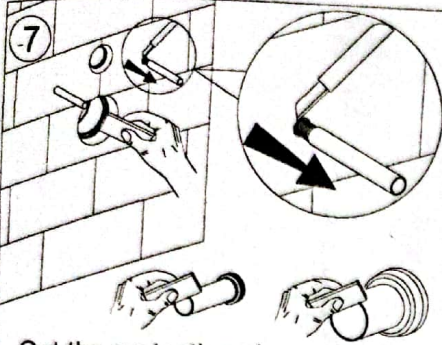
Connecting screw (to mount ceramic bowl)

Protective cover (to protect connecting screw at wall building)

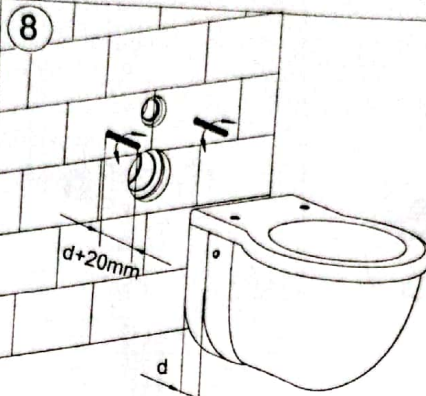
Finished assembly drawing.

Piping stopper 2# (to reserve space for discharging piping at wall building)

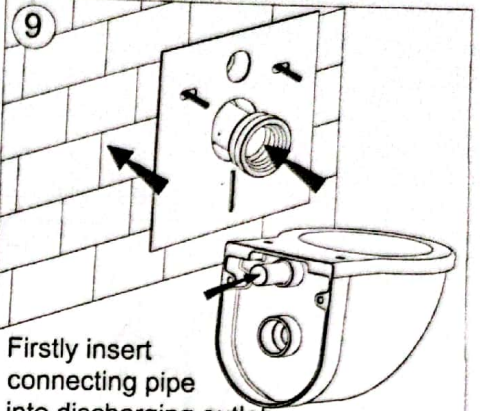
Piping stopper 1# (to reserve space for flushing piping at wall building)



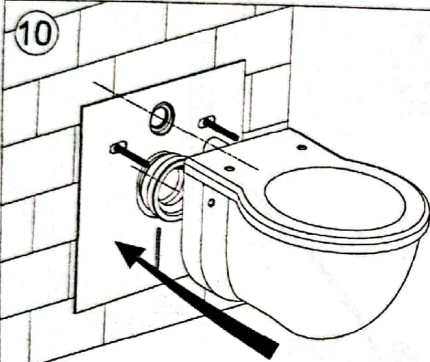
7
Cut the protection sleeve outside of the wall with a knife.
Apply lubricat on joint surface of straight tube and connecting pipe.



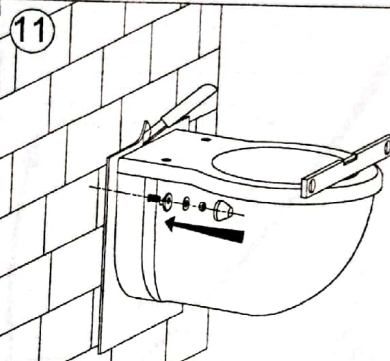
8
Adjust length of connecting bolt to be $d+20\text{mm}$



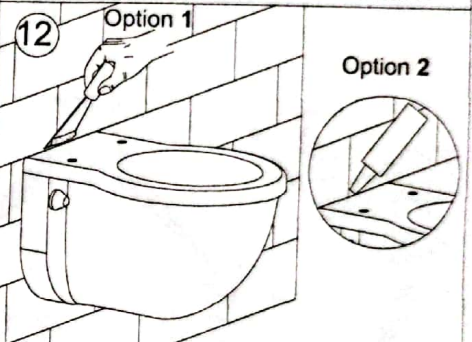
9
Firstly insert connecting pipe into discharging outlet and straight tube into ceramic hole.



10
Mounting the ceramic bowl.

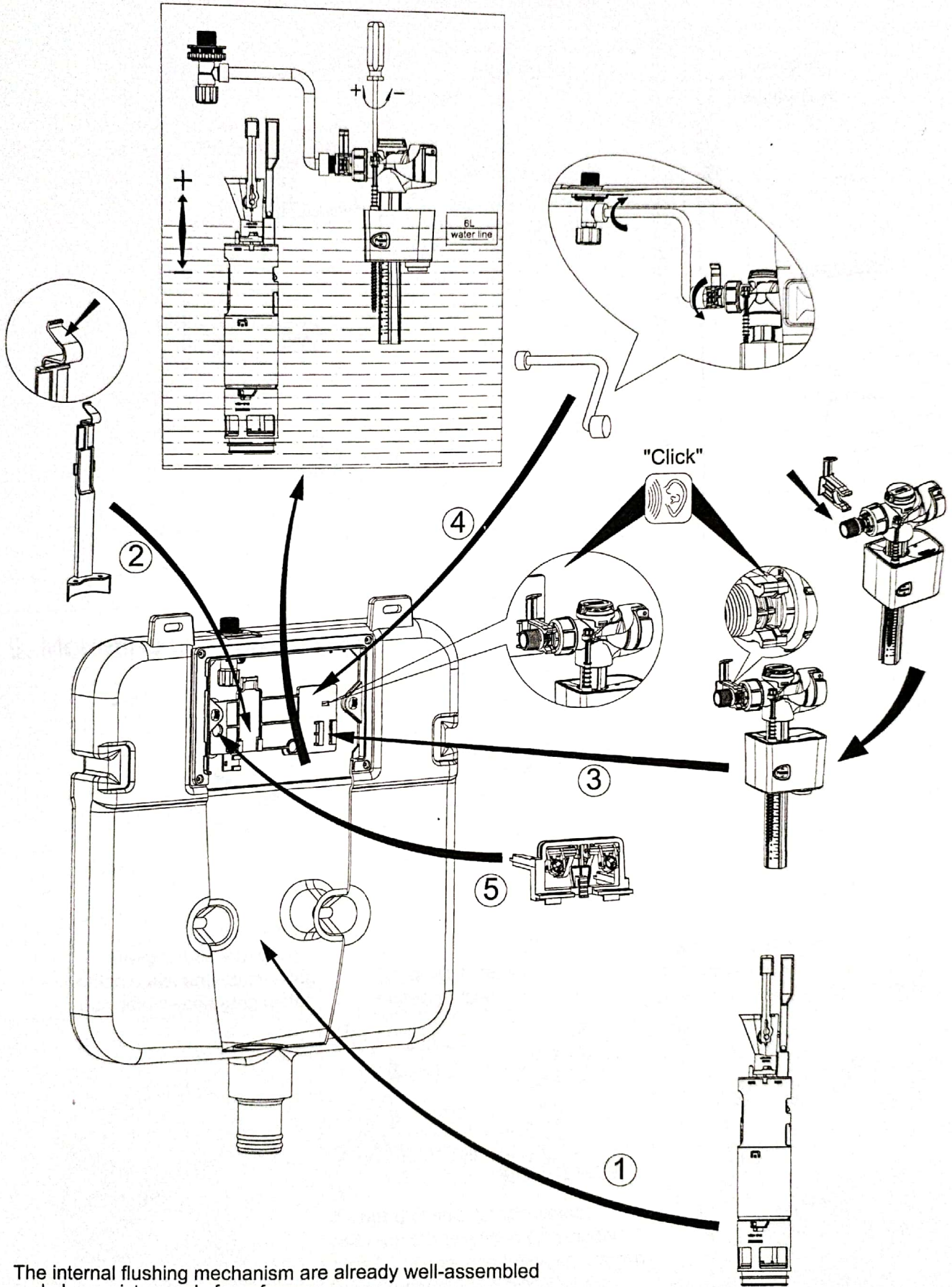


11
Screw the bowl and remove the extra pad.



12
Apply cement or glue to fill and level up the gap to wall.

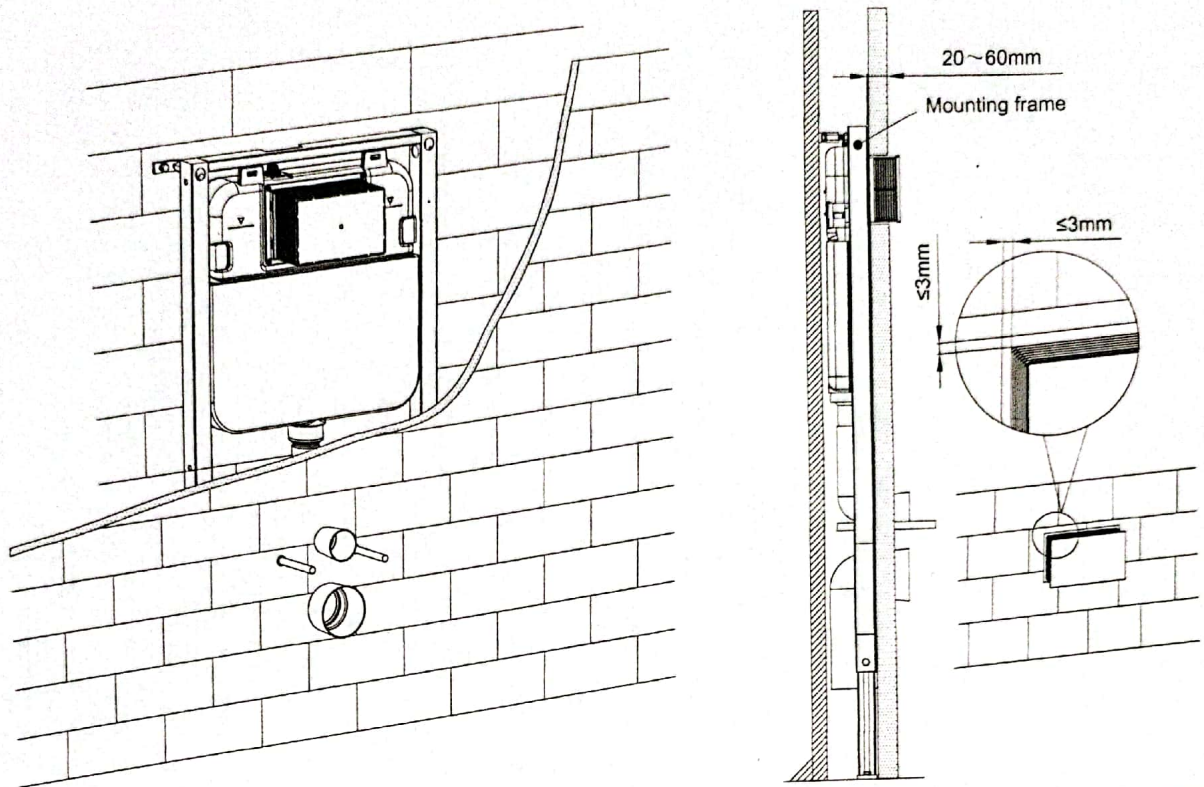
10. Internal flushing mechanism assembly drawing



The internal flushing mechanism are already well-assembled and above picture only for reference.

ASGFA30034000A-1.0

8. Wall thickness range 20-60mm (from frame outside surface to finished wall)



9. Mounting of ceramic bowl

<p>①</p> <p>Fully insert the straight tube into cistern flushing outlet and connecting pipe into discharging outlet.</p>	<p>②</p> <p>Draw the lines as above picture.</p>	<p>③</p> <p>Apply lubricant on rubber washers of straight tube and connecting pipe, then insert into ceramic holes.</p>
<p>④</p> <p>Draw the lines as above picture.</p>	<p>⑤</p> <p>As per drawing, L1 is distance between the two lines on straight tube. L2 is distance between the two lines on connecting pipe. Cut the straight tube and connecting pipe as per above drawing.</p>	<p>⑥</p> <p>Polishing the cutting surface to get chamfer angle as per drawing and deburring.</p>