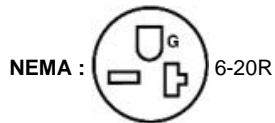




UPC Code : 078477249802

Country Of Origin : Mexico



Available Colors :



5821-I

Single Receptacle Outlet, Commercial Specification Grade, Smooth Face, 20 Amp, 250 Volt, Side Wire, NEMA 6-20R, 2-Pole, 3-Wire, Self-Grounding - Ivory

Technical Information

AC Horsepower Ratings

At Rated Voltage : 2 HP

Electrical Specifications

Amperage : 20 A

Current Limiting : Full Rated Current

Dielectric Voltage : Withstands 2000V per UL498

Grounding : Self-Grounding

Pole : 2

Voltage : 250 VAC

Wire : 3

Environmental Specifications

Flammability : Rated V-2 per UL 94

Operating Temperature : -40°C to 60°C

Material Specifications

Body Material : Nylon

Face Material : Nylon

Grounding Screw : Brass 8-32

Line Contacts : Brass Double Wipe .031 Thick

Terminal Screws : Brass 8-32

Yoke : Zinc-Plated Steel

Mechanical Specifications

Product ID : Ratings are permanently marked on device

Terminal Accom. : 14-10 AWG

Terminal ID : Brass-Hot, Green-Ground, White-Neutral

Termination : Side Wire

Product Features

Amperage : 20 A

Body Material : Nylon

Color : Ivory

Device Type : Single Receptacle Outlet

Face Material : Nylon

Feature : Smooth Face

Grade : Commercial Specification Grade

Grounding : Self-Grounding

NEMA : 6-20R

Pole : 2

Standards and Certifications : UL/CSA

Strap Material : Steel

Termination : Side Wire

Voltage : 250 VAC

Warranty : 10-Year Limited

Wire : 3

Standards and Certifications

ANSI : C-73

CSA C22.2 No. 42 : File 152105

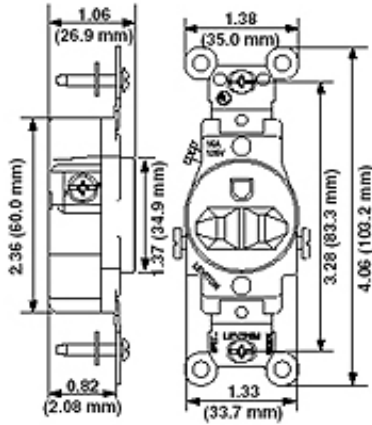
NEMA : WD-1 & WD-6

NOM : 057

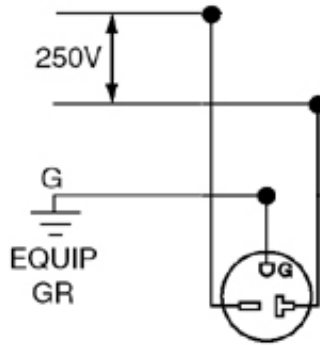
UL Fed Spec WC-596 : File E13399

UL498 : File E13399

Dimensional Diagram



Wiring Diagram



6-20R

SPECIFICATION SUBMITTAL

| | |
|-------------------------------------|--|
| JOB NAME: <input type="text"/> | CATALOG NUMBERS: <input type="text"/> |
| JOB NUMBER: <input type="text"/> | <input type="text"/> |

Leviton Manufacturing Co., Inc.

201 North Service Road, Melville, NY 11747

Telephone: +1-800-323-8920 · FAX: +1-800-832-9538 · Tech Line (8:30AM-7:30PM E.S.T. Monday-Friday):

+1-800-824-3005

Leviton Manufacturing of Canada, Ltd.

165 Hymus Boulevard, Pointe Claire, Quebec H9R 1E9 · Telephone: +1-800-469-7890 ·

FAX: +1-800-824-3005 · www.leviton.com/canada

Leviton S. de R.L. de C.V.

Lago Tana 43, Mexico DF, Mexico CP 11290 · Tel.: (+52)55-5082-1040 · FAX: (+52)5386-

1797 · www.leviton.com.mx

Visit our Website at: www.leviton.com

© 2018 Leviton Manufacturing Co., Inc. All Rights Reserved. Subject to change without notice.

Leviton has a global presence.

If you would like to know where your local Leviton office is located please go to:

www.leviton.com/international/contacts/

