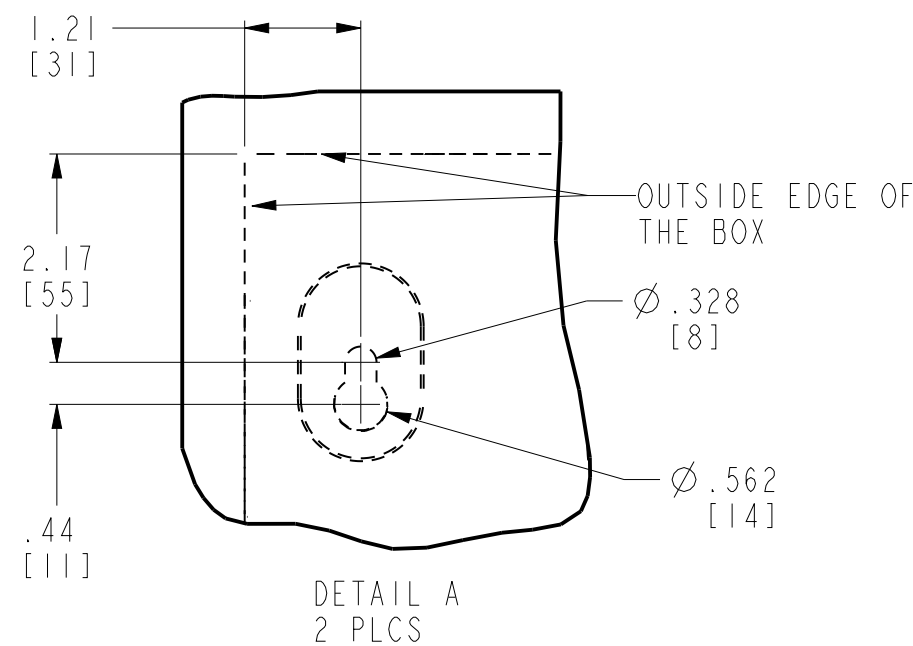
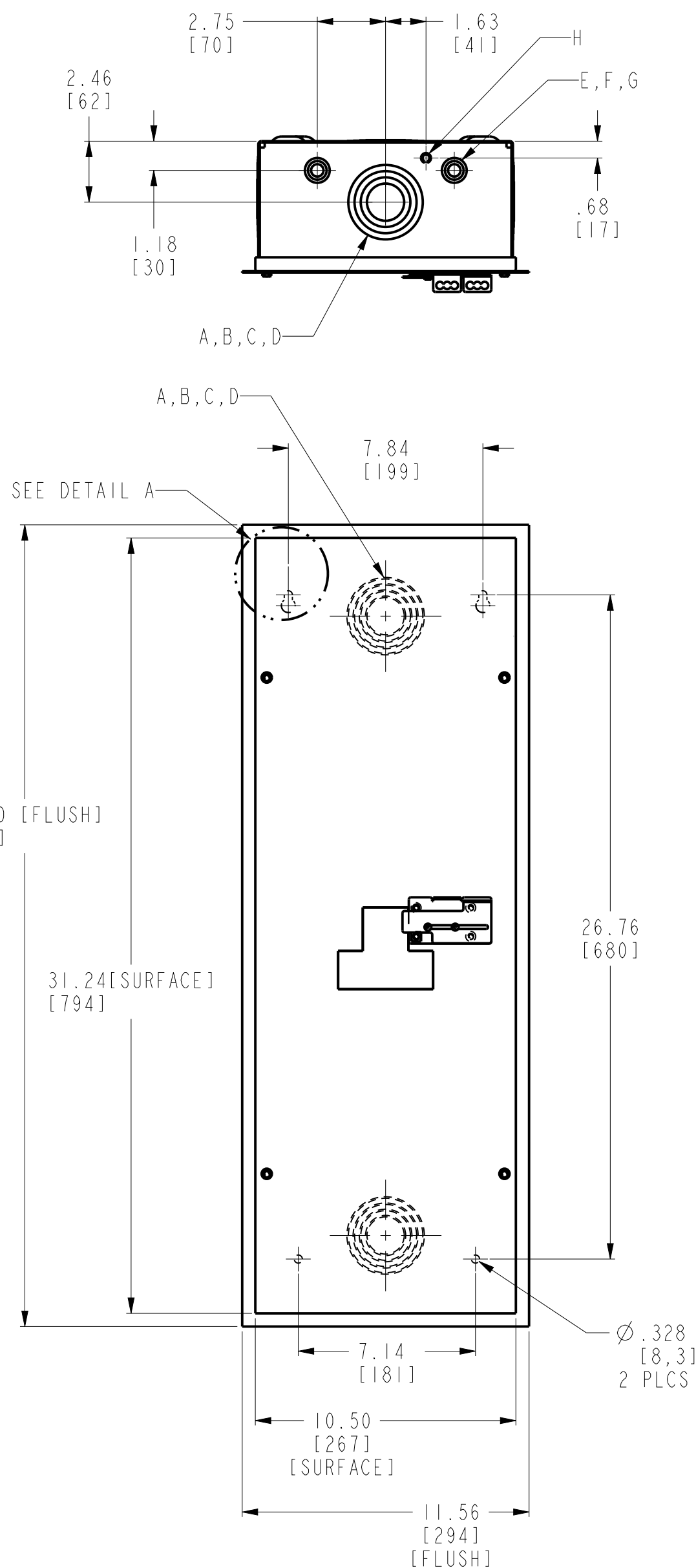
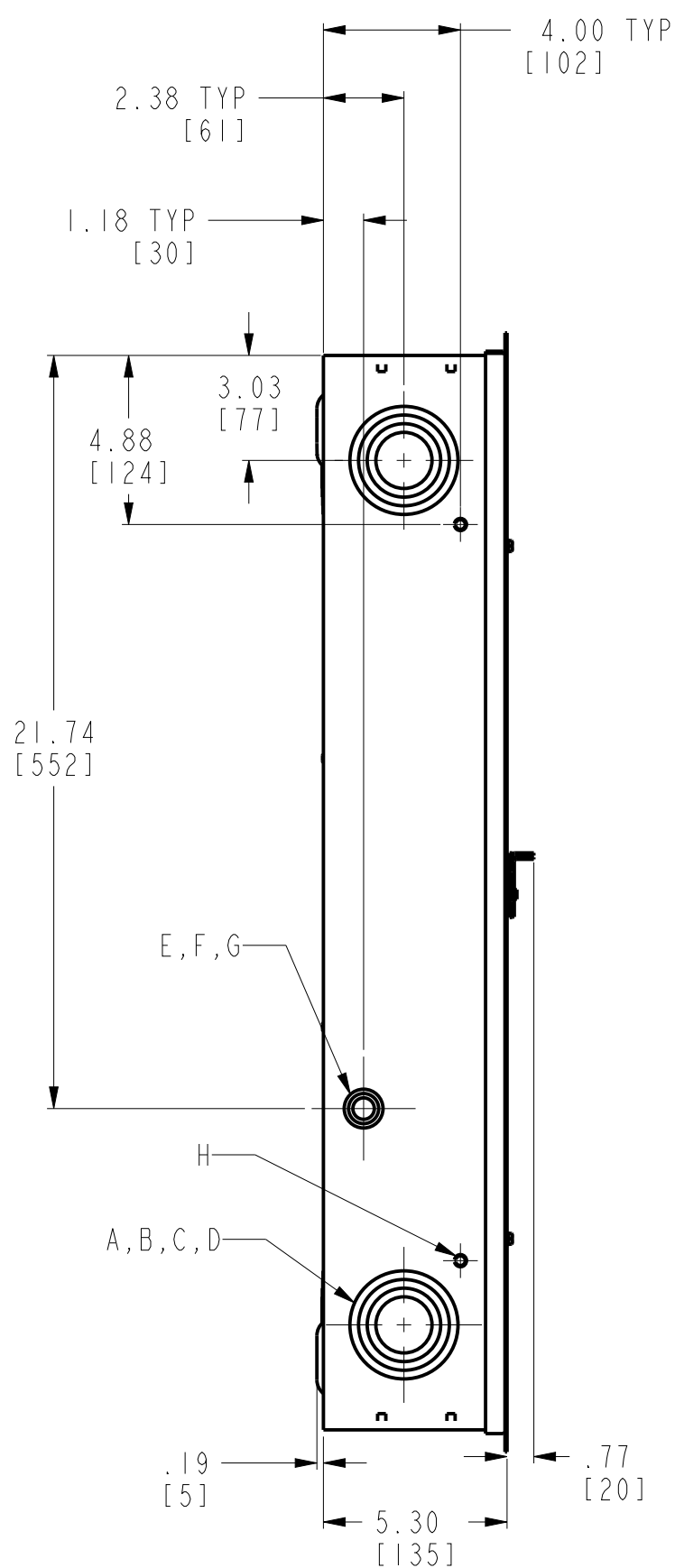


3D Model is the Master Document of Record  
 Article or Material Must Conform to REACH Procedure S1900000 Sec.14  
 Article or Material Must Conform to RoHS Procedure S1900000 Sec.13  
 Part Must Conform to S1900000 Sec.4 Toxicity Procedure  
 Geometric Dimensioning & Tolerancing as per ASME Y14.5-2009



CIRCUIT BREAKER LUG CATALOG DATA			
CIRCUIT BREAKER CATALOG NO. PREFIX	AMPERE RATING	LUG CATALOG NUMBER	WIRE SIZE (AWG/KCMIL)
XT4	25-250A	KXT4CUAL1-3PC	KXT4CUAL1-4PC (1) #14-1/0 CU-AL
		KXT4CUAL2-3PC	KXT4CUAL2-4PC (1) #4-300 CU-AL
		KXT4CUAL3-3PC	KXT4CUAL3-4PC (1) #3/0-350 CU-AL
		KXT4CU-3PC	KXT4CU-4PC (1) #10-250 CU

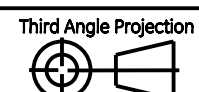
FIELD INSTALLABLE NEUTRAL ASSEMBLY AND GROUND KIT			
CAT NO. PREFIX	TYPE	AMPERE RATING	WIRE SIZE (AWG/KCMIL)
TGL1	GND KIT	70-125A	(4) #14-8 CU (4) #12-8 AL (3) #14-4 CU (3) #6-4 AL
TGL20 (COMBINED WITH TGL1)	GND KIT	150-250A	(1) #6-2/0 CU-AL
TNIA225	NEUTRAL ASM	25-250A	(1) #10-300 CU-AL
TNIA250XTGF	NEUTRAL ASM	25-250A	(1) #10-300 CU-AL

SYMBOLS	CONDUIT SIZE		DIAMETER	
	IN	MM	IN	MM
A	3	76	3 5/8	92
B	2 1/2	64	3	76
C	1 1/2	38	2	51
D	2	51	2 1/2	64
E	1	25	1 3/8	35
F	3/4	19	1 1/8	29
G	1/2	13	7/8	22
H	9/32	7	9/32	7

SH17

DUAL DIMENSIONS INCHES [MILLIMETERS]

- NOTES:
1. MATERIAL: LOW CARBON STEEL
  2. FINISH: ELECTROCOAT ENAMEL, GRAY
  3. AGENCY APPROVAL: cULus LISTED -FILE E11592
  4. SUITABLE FOR USE AS SERVICE EQUIPMENT WHEN NEUTRAL ASSEMBLY IS INSTALLED
  5. THE SHORT CIRCUIT RATING OF THIS ENCLOSED CIRCUIT BREAKER IS EQUAL TO THE INTERRUPTING RATING, AT THE SUPPLY VOLTAGE MARKED ON THE CIRCUIT BREAKER INSTALLED
  6. CONSULT BUYLOG FOR ALTERNATIVE LUGS



DRAWING FILE 139C5497SH17		MODEL FILE 139C5497SH17		<b>ABB</b>	
DATE MODIFIED 25-Sep-20 01:19:32 AM		DESIGNED BY AS			
Calculated for: VOLUME .. ..	CW# C100216	APPROVED BY S.KIM	TITLE OUTLINE DRAWING-NEMA TYPE1 ENCLOSURE XT4ENCL250S,XT4ENCL250F		
MASS .. ..	MATERIAL SPECIFICATION .. ..	FINISH SPECIFICATION .. ..	UNITS in	LOCAL TITLE .. ..	
UNLESS OTHERWISE SPECIFIED			SIZE C	ROOT NUMBER 139C5497	REV 2
TOLERANCE ON: 1 PL DECIMALS = .00 2 PL DECIMALS = .002 3 PL DECIMALS = .0005 ANGLES = 1.0			SCALE 1:1	PRODUCT LINE MCCB ENCLOSURES	RELEASE STATE Released
FINISH DESCRIPTION .. ..			SHEET 1 of 1		