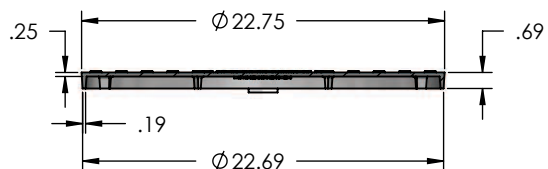
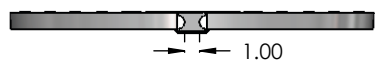


Sección B-B

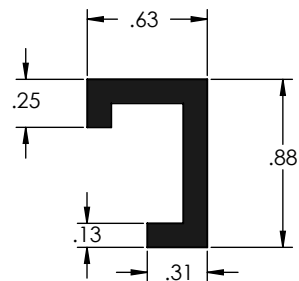
Detalle T Escala 1 : 4



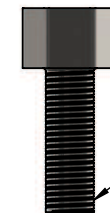
Sección A-A



Vista - X

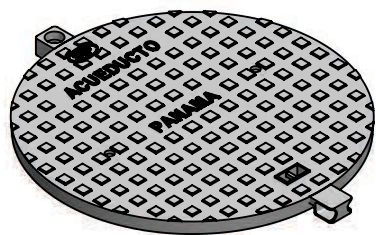


Junta de Goma (Material - Neopreno)



Tornillo de Cabeza Hexagonal 0.50" DIA x 1.50" Largo Rosca BSW.

Detalles Tornillo de Fijación (Material - Acero Inoxidable)



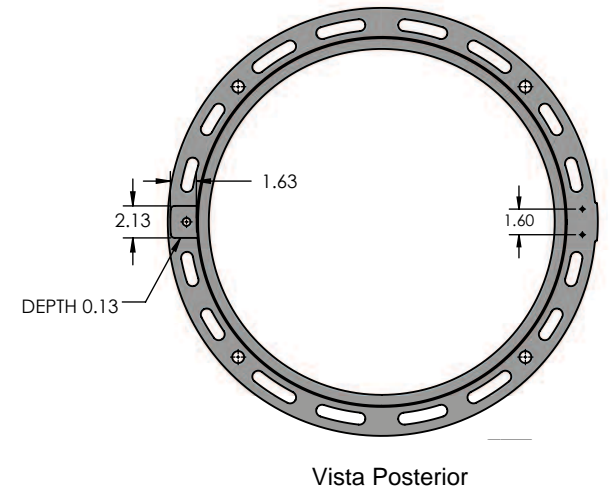
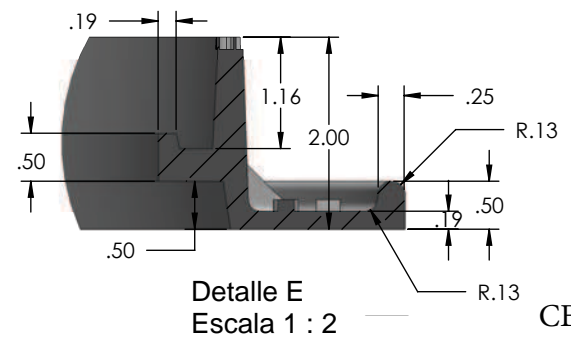
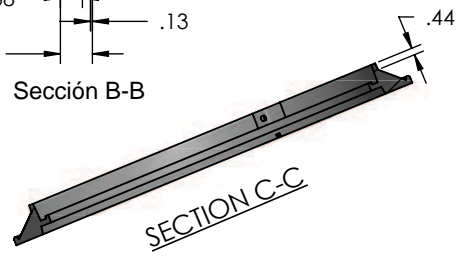
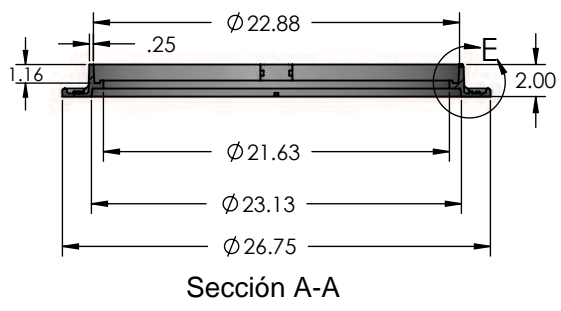
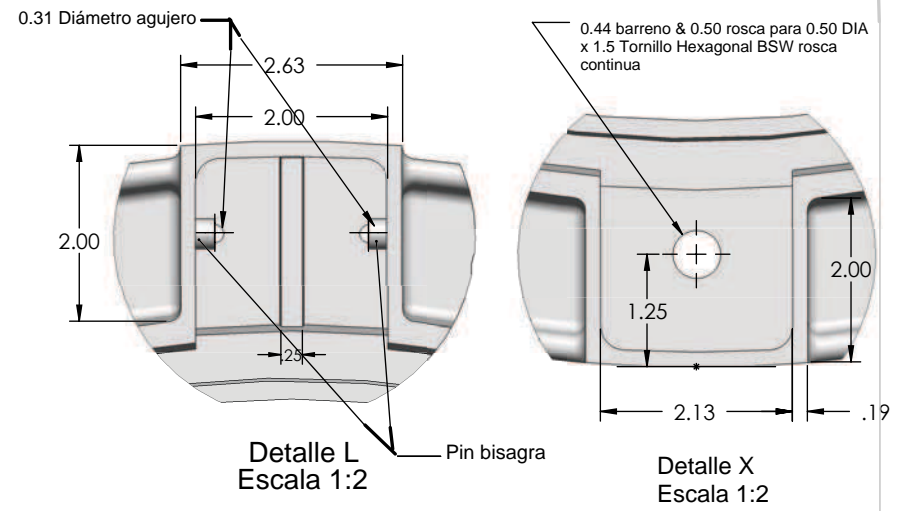
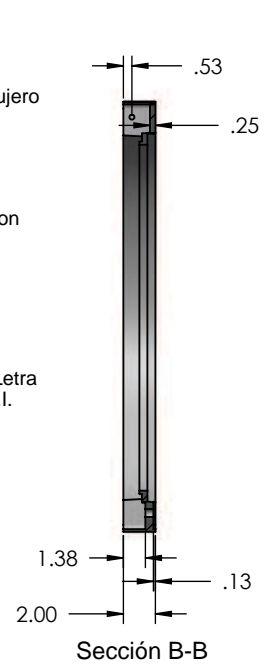
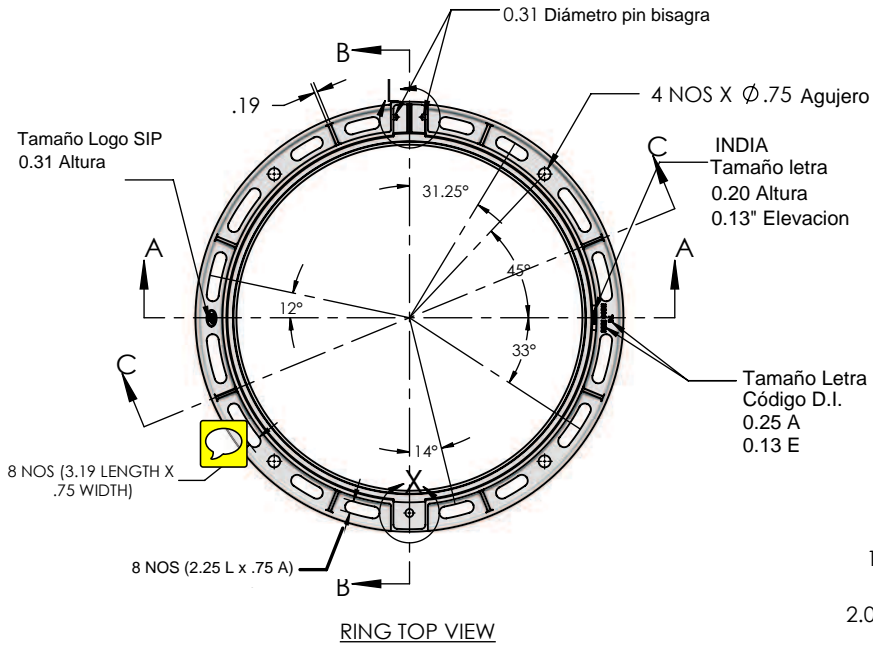
CERTIFICACION DE PRUEBA DE CARGA (20 ton)

PROPRIETARY AND CONFIDENTIAL
 THE INFORMATION CONTAINED IN THIS DRAWING IS THE SOLE PROPERTY OF SIP INDUSTRIES/SERAMPORE. ANY REPRODUCTION IN PART OR AS A WHOLE WITHOUT THE WRITTEN PERMISSION OF SIP INDUSTRIES/SERAMPORE IS PROHIBITED.

			Peso Aproximado: 31lbs
			Approx Surf. Area: IN ²
			Material: Hierro Ductil por ASTM A536
			FINISH
REV	Descripcion	Fecha	
	REVISION		No Escala Dibujo

UNLESS OTHERWISE SPECIFIED DIMENSIONS ARE IN INCHES		
TOLERANCES: FRACTIONAL: ±0.06 DECIMAL: ± 0.031 ANGLES: ±1° DRAFT ANGLES: 2°±1°		
DRAWN	NAME	DATE
	Miral	06/16/17

Tapa Sola de 24" Panama		
SIP Industries/Serampore 2900 Patio Drive Houston, TX 77017 United States of America Ph: (713) 923-6111 Fax: (713) 923-6114		
SIZE	DWG. NO.	REV
A	17PANAMA24CVR	
Escala 1:12		Pagina 1 de 3



CERTIFICACION DE PRUEBA DE CARGA (20 ton)

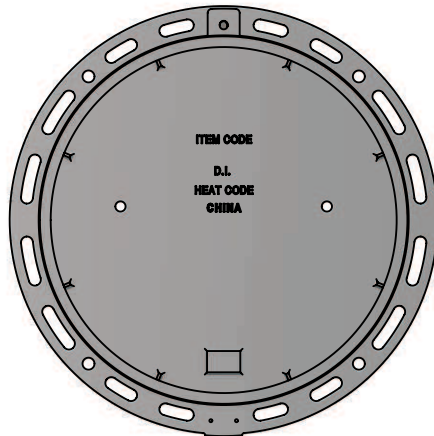
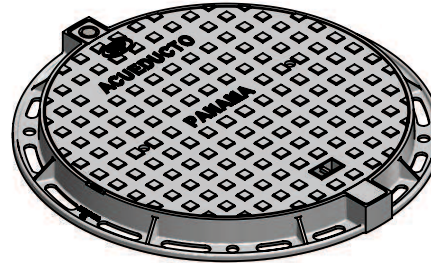
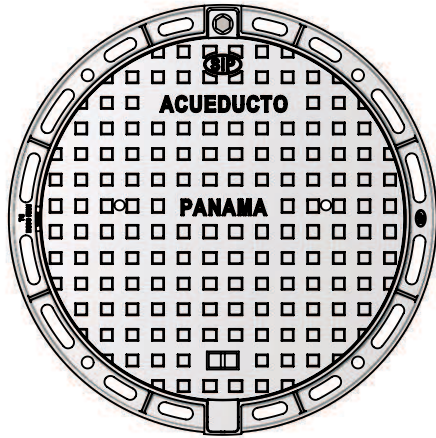
PROPRIETARY AND CONFIDENTIAL
THE INFORMATION CONTAINED IN THIS DRAWING IS THE SOLE PROPERTY OF SIP INDUSTRIES/SERAMPORE. ANY REPRODUCTION IN PART OR AS A WHOLE WITHOUT THE WRITTEN PERMISSION OF SIP INDUSTRIES/SERAMPORE IS PROHIBITED.

REV	DESCRIPTION	DATE
	REVISION	

Approx. Wt.:	26 LBS
Approx. Surf. Area.:	IN²
MATERIAL	Ductile Iron Per ASTM A536
FINISH	
DO NOT SCALE DRAWING	

UNLESS OTHERWISE SPECIFIED: DIMENSIONS ARE IN INCHES		
TOLERANCES: FRACTIONAL: ±0.06 DECIMAL: ± 0.031 ANGLES: ±1° DRAFT ANGLES: 2°±1°		
DRAWN	NAME	DATE
	Mrrinal	06/16/17
COMMENTS:		

Anillo Panama Solo de 24"		
SIP Industries/Serampore		
2900 Patio Drive Houston, TX 77017 United States of America		
Ph: (713) 923-6111 Fax: (713) 923-6114		
SIZE	DWG. NO.	REV
A	17PANAMA24R	
SCALE: 1:12		Página 2 de 3



CERTIFICACION DE PRUEBA DE CARGA (20 ton)

PROPRIETARY AND CONFIDENTIAL
 THE INFORMATION CONTAINED IN THIS DRAWING IS THE SOLE PROPERTY OF SIP INDUSTRIES/SERAMPORE. ANY REPRODUCTION IN PART OR AS A WHOLE WITHOUT THE WRITTEN PERMISSION OF SIP INDUSTRIES/SERAMPORE IS PROHIBITED.

			Approx. Wt.: 57 LBS (SET)
			Approx. Surf. Area.: IN²
			MATERIAL Ductile Iron Per ASTM A536
			FINISH
REV	DESCRIPTION	DATE	
	REVISION		DO NOT SCALE DRAWING

UNLESS OTHERWISE SPECIFIED: DIMENSIONS ARE IN INCHES		
TOLERANCES: FRACTIONAL: ±0.06 DECIMAL: ± 0.031 ANGLES: ±1° DRAFT ANGLES: 2°±1°		
DRAWN	NAME	DATE
	Mrrinal	06/16/17
COMMENTS:		

Tapa de 24" con Anillo Panama		
SIP Industries/Serampore 2900 Patio Drive Houston, TX 77017 United States of America Ph: (713) 923-6111 Fax: (713) 923-6114		
SIZE	DWG. NO.	REV
A	17PANAMA24	
SCALE: 1:12		Pagina 3 de 3