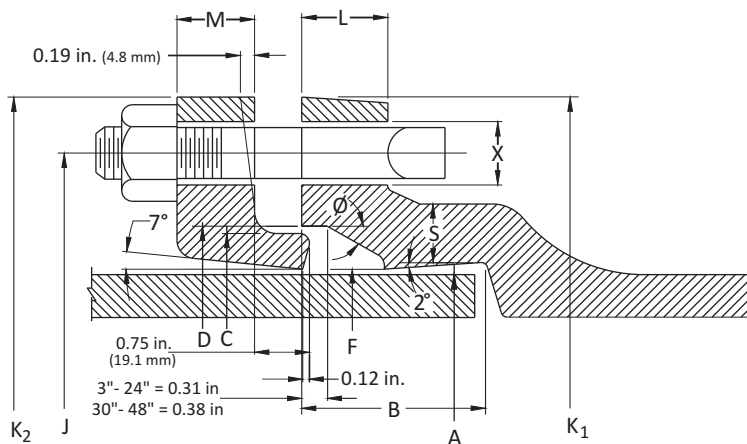


3" - 64" DUCTILE IRON MECHANICAL JOINT COMPACT FITTINGS

General Specifications

- Material** : Ductile Iron per ASTM A536
- Pressure** : 350 PSI rating for 2" - 24" sizes, 250 PSI rating for 30" - 48" sizes and 150 PSI rating for 54" - 64" sizes
- Testing** : In accordance with ANSI/AWWA C153/A21.53 and UL, FM requirements
- Laying Length** : In accordance with ANSI/AWWA C153/A21.53
(fittings not listed in ANSI/AWWA have dimensions per SIP design as noted in the catalog)
- Deflection** : 2" - 4" = 8° | 6" = 7° | 8" - 12" = 5° | 14" - 16" = 3 ½° | 18" - 24" = 3° | 30" - 48" = 2°
- Flanges** : Flanged ends on fittings match ANSI/AWWA C115/A21.15 and ANSI B16.1 class 125 flanges
- Gaskets** : SBR in accordance with ANSI/AWWA C111/A21.11 (see fittings accessories catalog)
- T-Bolts / Nuts** : Low alloy steel in accordance with ANSI/AWWA C111/A21.11 (see fittings accessories catalog)
- Cement Lining** : In accordance with ANSI/AWWA C104/A21.4 -- size 2" - 3" single thickness and sizes 4" - 64" double thickness
- Coating** : Asphaltic seal coat inside and out in accordance with ANSI/AWWA C104/A21.4 and referenced in ANSI/AWWA C153/A21.53 and also available in Fusion-Bonded epoxy (FBE) power coated oxide red color in accordance with the ANSI/AWWA C116/A21.16
- Weight** : Are in pounds, unless noted otherwise and do not include accessories, cement lining and coating
- Dimensions** : All dimensions are in inches unless noted otherwise.
- Installations** : Per ANSI/AWWA C600 and C111 using DIP conforming to C150/C151 and PVC pipe conforming to C900/C905
- Approvals** : 3" - 24" UL Listed | 3" - 24" FM Approved | 3" and higher UL/NSF Standards 61 | 3" and higher NSF/ANSI Standards 61 Approved for Drinking Water. Please consult SIP for detail listing and approvals.



Technical Specifications

SIZE	A	B	C	D	F	J	K ₁	K ₂	M	S	L	Ø	X	BOLTS		
														NO.	SIZE	LENGTH
*2	2.50	2.50	3.39	3.50	2.61	4.75	6.19	6.25	0.62	0.36	0.58	28°	¾	2	⅝	3
3	3.96	2.50	4.84	4.94	4.06	6.19	7.62	7.69	0.62	0.39	0.58	28°	¾	4	¾	3
4	4.80	2.50	5.92	6.02	4.90	7.50	9.06	9.12	0.75	0.39	0.60	28°	⅞	4	¾	3 ½
6	6.90	2.50	8.02	8.12	7.00	9.50	11.06	11.12	0.88	0.43	0.63	28°	⅞	6	¾	3 ½
8	9.05	2.50	10.17	10.27	9.15	11.75	13.31	13.37	1.00	0.45	0.66	28°	⅞	6	¾	3 ½
10	11.10	2.50	12.22	12.34	11.20	14.00	15.62	15.62	1.00	0.47	0.70	28°	⅞	8	¾	4
12	13.20	2.50	14.32	14.44	13.30	16.25	17.88	17.88	1.00	0.49	0.73	28°	⅞	8	¾	4
14	15.30	3.50	16.40	16.54	15.44	18.75	20.25	20.25	1.25	0.55	0.79	28°	⅞	10	¾	4 ½
16	17.40	3.50	18.50	18.64	17.54	21.00	22.50	22.50	1.31	0.58	0.85	28°	⅞	12	¾	4 ½
18	19.50	3.50	20.60	20.74	19.64	23.25	24.75	24.83	1.38	0.68	1.00	28°	⅞	12	¾	4 ½
20	21.60	3.50	22.70	22.84	21.74	25.50	27.00	27.08	1.44	0.69	1.02	28°	⅞	14	¾	4 ½
24	25.80	3.50	26.90	27.04	25.94	30.00	31.50	31.58	1.56	0.75	1.02	28°	⅞	16	¾	5
30	32.00	4.00	33.29	33.46	32.17	36.88	39.12	39.12	2.00	0.82	1.31	20°	1 ⅛	20	1	6
36	38.30	4.00	39.59	39.76	38.47	43.75	46.00	46.00	2.00	1.00	1.45	20°	1 ⅛	24	1	6
42	44.50	4.00	45.79	45.96	44.67	50.62	60.00	53.12	2.00	1.25	1.45	20°	1 ⅜	28	1 ¼	6 ½
48	50.80	4.00	52.09	52.26	50.97	57.50	53.12	60.00	2.00	1.35	1.45	20°	1 ⅜	32	1 ¼	6 ½

NB : Fittings & Dimensions for Size 54, 60 & 64 available on request only.

All dimensions are in inches unless noted otherwise.

All weights are approximate in pounds unless noted otherwise.

* not included in AWWA C153