

DI GROOVED FITTINGS-TEE

Type: 130

Doc No: DS-400-130-01-E

1.0 PRODUCT OVERVIEW

The tee product is used for grooved pipe connection, mainly in the grooved pipe end where the main pipe needs branch pipe. The diameter of the main pipe and branch pipe is the same.



Dimensions:

1"(DN25)– 24"(DN600)

Design Standard:

ISO6182, AWWA C606, GB 5135.11

Connection Standard:

ASME B36.10, ASTM A53-A53M, ISO 4200

Working Pressure:

175PSI-500PSI

Application:

The tee product is suitable for medium and low pressure pipeline systems with nominal pressure 175-500 PSI, nominal size DN25-DN600, temperature range of -20 °C-+180°C, which are widely applied in water supply and drainage, fire-fighting, air conditioning, etc.

Pipe Material:

Welded and seamless rolled steel pipes according to ASME B36.10, ASTM A53-A53M, ISO 4200, GB/T 21835

Surface Treatment:

Sign Off:

Owner: _____ Contractor: _____

Engineer: _____

Location: _____ Date: _____

Approved & Date: _____

- Electrophoretic painting
- Epoxy power painting
- Hot-dip galvanizing
- Black
- Others would be available upon clients' detailed request

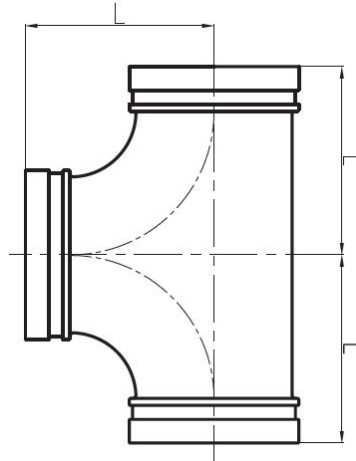
2.0 APPROVALS



3.0 SPECIFICATIONS-MATERIAL

Ductile iron according to ASTM A536, grade 65-45-12. The nodularity is more than 90%, ensuring excellent physical and mechanical properties.

4.0 DIMENSIONS AND PERFORMANCE



Sign Off:

Owner: _____ Contractor: _____
 Location: _____ Date: _____

Engineer: _____
 Approved & Date: _____



玫德集团有限公司
JINAN MEIDE CASTING CO., LTD

Nominal	Pipe	Working	Dimensions	Nominal	Pipe	Working	Dimensions
Size	O.D	Pressure	L	Size	O.D	Pressure	L
mm/in	mm/in	PSI/MPa	mm/in	mm/in	mm/in	PSI/MPa	mm/in
25	33.7	500	57	200	219.1	500	197
1	1.315	3.45	2.24	8	8.625	3.45	7.75
32	42.4	500	70	250	267.4	300	229
1¼	1.66	3.45	2.75	10	10.528	2.07	9
40	48.3	500	70	250	273	500	229
1½	1.9	3.45	2.75	10	10.75	3.45	9
50	60.3	500	82.5	300	318.5	500	254
2	2.375	3.45	3.25	12	12.539	3.45	10
65	73	500	95	300	323.9	500	254
2½	2.875	3.45	3.74	12	12.75	3.45	10
65	76.1	500	95	350	355.6	300	280
2½	3	3.45	3.74	14	14	2.07	11.02
80	88.9	500	108	350	377	300	279
3	3.5	3.45	4.25	14	14.84	2.07	10.98
100	114.3	500	127	400	406.4	300	305
4	4.5	3.45	5	16	16	2.07	12
125	133	500	122	400	426	300	285
5	5.25	3.45	4.8	16	16.77	2.07	11.22
125	139.7	500	140	450	457.2	300	342
5	5.5	3.45	5.5	18	18	2.07	13.46
125	141.3	500	140	450	480	300	335
5	5.563	3.45	5.5	18	18.9	2.07	13.19
150	165.1	500	165	500	508	300	381
6	6.5	3.45	6.5	20	20	2.07	15
150	168.3	500	165	600	609.6	300	432
6	6.625	3.45	6.5	24	24	2.07	17.01

5.0 REFERENCE MATERIALS

Approved certification for Grooved Fittings and Couplings

I-JM-Grooved fitting: Installation Instructions for grooved fittings and couplings

Sign Off:

Owner: _____ Contractor: _____

Engineer: _____

Location: _____ Date: _____

Approved & Date: _____