

NEW PRODUCT PREVIEW

NEW PRODUCT IN SERIES

**Pure-Blu™
BYCN Series
Butterfly Valves**

2" TO 8" PVC

KEY FEATURES

- NSF/ANSI 61 Listed
- Wafer Body Design
- Fits ANSI 125 or PN10 Flange Patterns
- PVC Body with PVC Disc
- 316 Grade Stainless Steel Stem
- EPDM Booted Seat
- ISO 5211 Mounting Pad
- 9 Position Throttle Plate
- Standard Lockout Handlever

BENEFITS

- High Flow Capacity
- Low Pressure Drop

OPTIONS

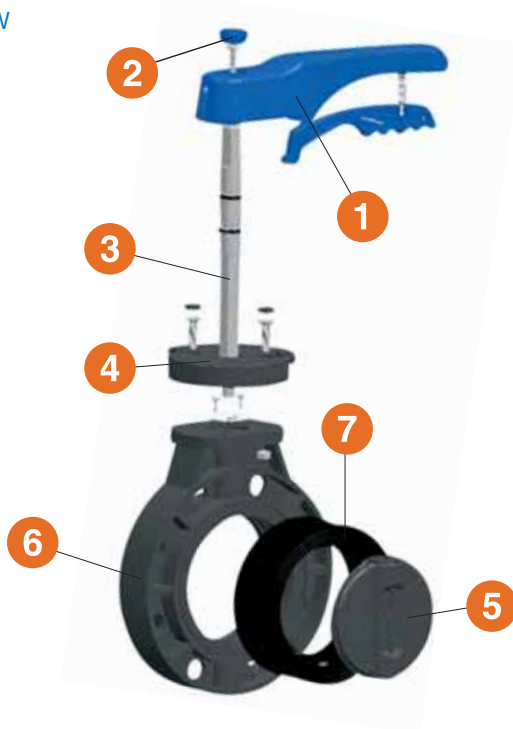
- Gear Operators
- Electric or Pneumatic Actuators

TYPICAL APPLICATIONS

- Potable Water Systems /Commercial Plumbing
- Pools, Water/Theme Parks and Aquariums
- Food and Beverage
- Water and Wastewater Treatment
- Chemical Processing

MATERIALS

- PVC Cell Class 12454 per ASTM D1784
- EPDM Liner and Seals

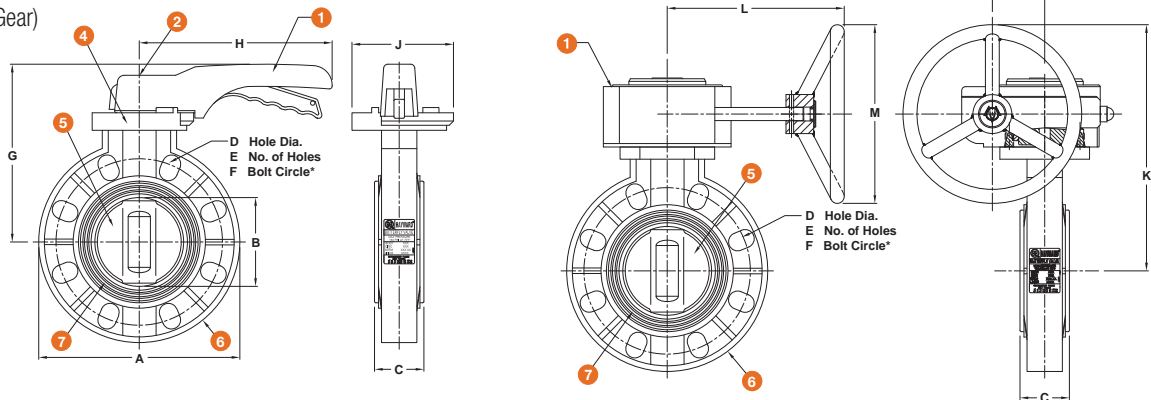

EXPLODED VIEW


Pure-Blu™ BYCN Butterfly Valve

2" TO 8" PVC

PARTS LIST

1. Operator (Lever or Gear)
2. Bezel (Screw)
3. SSTL Stem
4. Throttle Plate with Screws
5. Disc
6. Body
7. Liner



DIMENSIONS - INCHES/MILLIMETERS

SIZE in / DN	A in / mm	B in / mm	C in / mm	D in / mm	E in / mm	F in / mm	G in / mm	H in / mm	J in / mm	K in / mm	L in / mm	M in / mm	N in / mm
2 / 50	6.30 / 160	2.13 / 54	1.75 / 44	.75 / 19	4 / 102	4.75 / 102	6.37 / 162	8.66 / 220	4.26 / 108	9.52 / 242	9.69 / 246	8.00 / 203	2.36 / 60
2-1/2 / 63	7.08 / 180	2.64 / 67	1.89 / 48	.75 / 19	4 / 102	5.50 / 140	6.73 / 171	8.66 / 220	4.26 / 108	9.88 / 251	9.69 / 246	8.00 / 203	2.36 / 60
3 / 80	7.70 / 196	3.27 / 83	2.09 / 53	.75 / 19	4 / 102	6.00 / 152	7.44 / 189	9.80 / 249	8.43 / 214	10.59 / 269	9.69 / 246	8.00 / 203	2.36 / 60
4 / 100	9.06 / 230	3.98 / 101	2.24 / 57	.75 / 19	8 / 203	7.50 / 191	7.95 / 202	9.80 / 249	4.26 / 108	11.10 / 282	9.69 / 246	8.00 / 203	2.36 / 60
5 / 125	10.00 / 254	5.00 / 127	2.68 / 68	.88 / 22	8 / 203	8.50 / 216	9.96 / 253	12.60 / 320	5.84 / 148	12.34 / 313	9.69 / 246	8.00 / 203	2.36 / 60
6 / 150	11.19 / 284	5.98 / 152	2.87 / 73	.88 / 22	8 / 203	9.50 / 241	10.48 / 266	12.60 / 320	5.84 / 148	12.86 / 326	9.69 / 246	8.00 / 203	2.36 / 60
8 / 200	13.54 / 344	7.88 / 200	3.62 / 92	.88 / 22	8 / 203	11.75 / 298	12.17 / 309	12.60 / 320	5.84 / 148	14.55 / 370	9.69 / 246	8.00 / 203	2.36 / 60

Dimensions are subject to change without notice – consult with factory for installation information

Cv VALUES

DISC ANGLE	15°	30°	45°	60°	75°	FULL OPEN
SIZE in / DN	Cv VALUES					
2 / 50	1	6	24	32	84	120
2-1/2 / 63	3	13	50	108	175	250
3 / 80	4	15	60	129	210	300
4 / 100	7	24	94	202	329	470
5 / 125	13	42	166	357	581	830
6 / 150	18	55	220	473	770	1,100
8 / 200	90	125	500	1,075	1,750	2,500

PRESSURE LOSS CALCULATION FORMULA

$$\Delta P = \left[\frac{Q}{C_v} \right]^2$$

ΔP = Pressure Drop
 Q = Flow in GPM
 C_v = Flow Coefficient

OPERATING TEMPERATURES / PRESSURE

