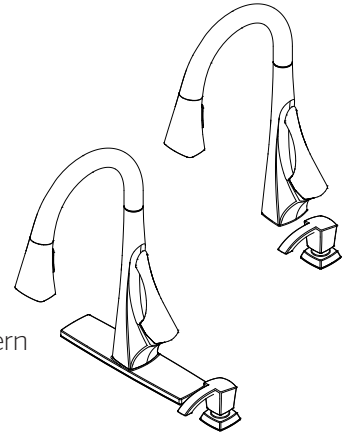


F-529-7VNB Finish(B)

*F-529-7VNC Finish(C)

F-529-7VNGS Finish(GS)

*International Only



- Unique Ribbon Water Flow Pattern
- Spot Defense
- AccuDock™ Sprayhead Docking

Specifications

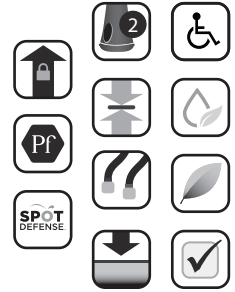
Features

- 1.8 GPM Flow Rate
- Unique Ribbon Water Flow Pattern
- Spot Defense Finish which Resists Spots and Fingerprints (GS Finish Only)
- 1, 2, 3, or 4-Hole Installation; Deck Plate or Single Hole Mounting Option
- 2 Function Pull-Down Sprayer
- 360° Rotating Spout
- AccuDock™ Sprayhead Docking
- Forward Handle Operation
- Mounting Hardware Included
- Nylon Flex-Line Supply Lines
- Pfast Connect™
- PVD Finish(GS Finish Only)
- Soap Dispenser
- Quick Install Tool
- TiteSeal™ Deckplate
- Pforever Seal Ceramic Disc Valve
- Pforever Warranty®

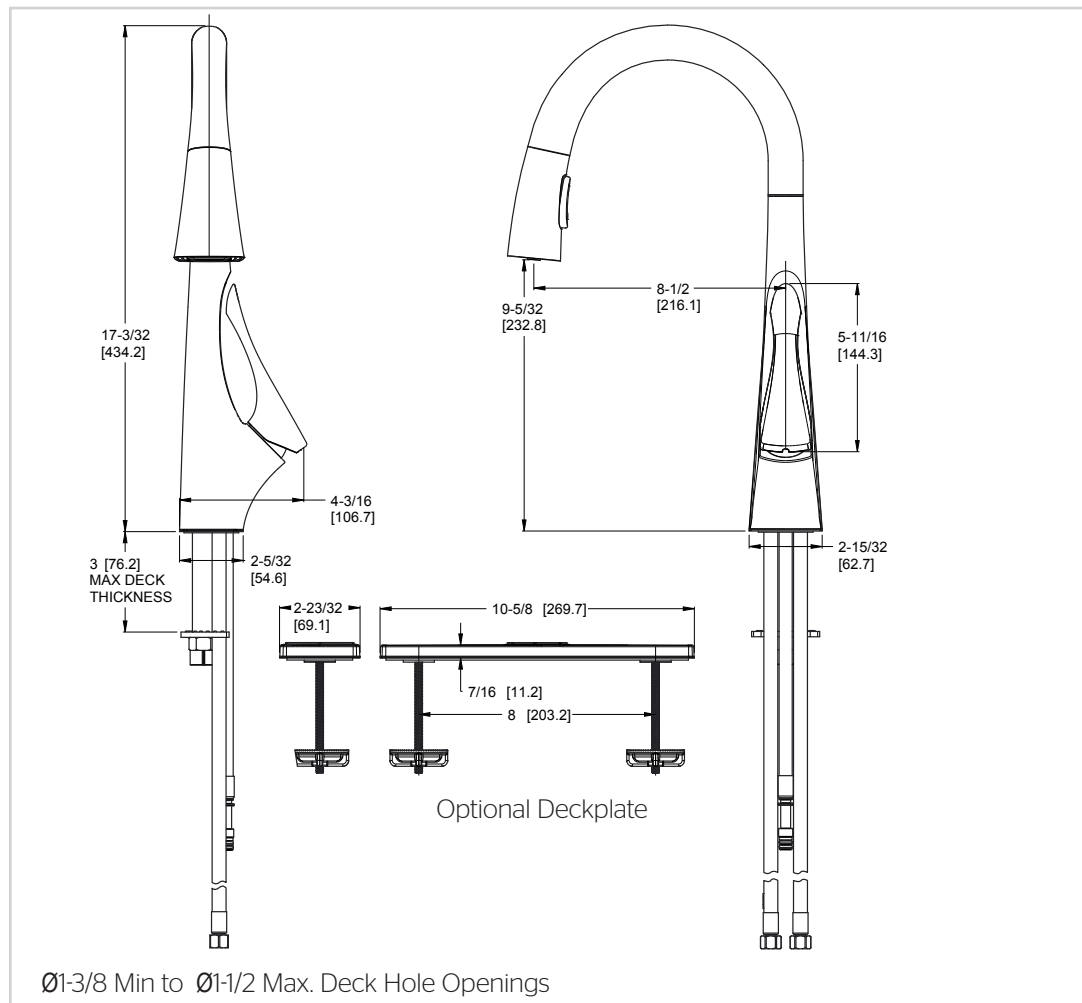
Code Compliance

Pfister products are designed and manufactured in compliance with the following standards and codes:

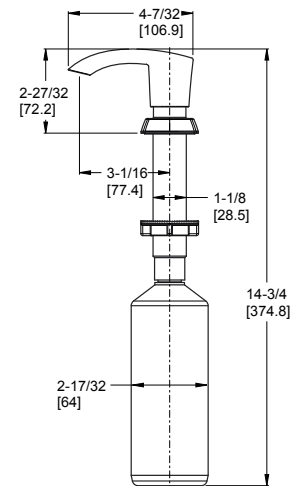
- IAPMO Certified
- CSA B125 Certified
- ASME A112.18.1
- NSF 61/9 Annex G (Low lead)
- CEC Compliant
- Cal Green Compliant
- ADA Compliant-ANSI A117.1 (Lever handles only)
- ASME A112.18.3 (Backflow Prevention)



Dimensions



Top Filling Soap Dispenser



36 Inch Supply Lines with 3/8 Female Compression Brass Connections

