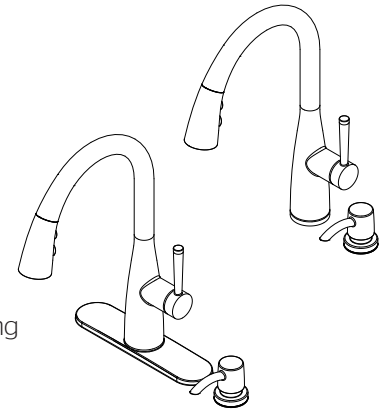


F529-7RYB Finish(B)

F529-7RYC Finish(C)

F529-7RYS Finish(S)



Specifications

- AccuDock Sprayhead Docking
- 1, 2, 3, or 4-Hole Installation
- Pforever Seal

Features

- 1.8 GPM Flow Rate
- 1, 2, 3, or 4-Hole Installation; Deck Plate or Single Hole Mounting Option
- 3 Function Pull-Down Sprayer
- AccuDock Sprayhead Docking
- Easy to Clean Nozzles
- 360° Rotating Spout
- Mounting Hardware Included
- High Arc Spout
- Quick Install Tool
- Soap Dispenser Included
- TiteSeal™ Deckplate
- Pforever Seal Ceramic Disc Valve
- Pforever Warranty®

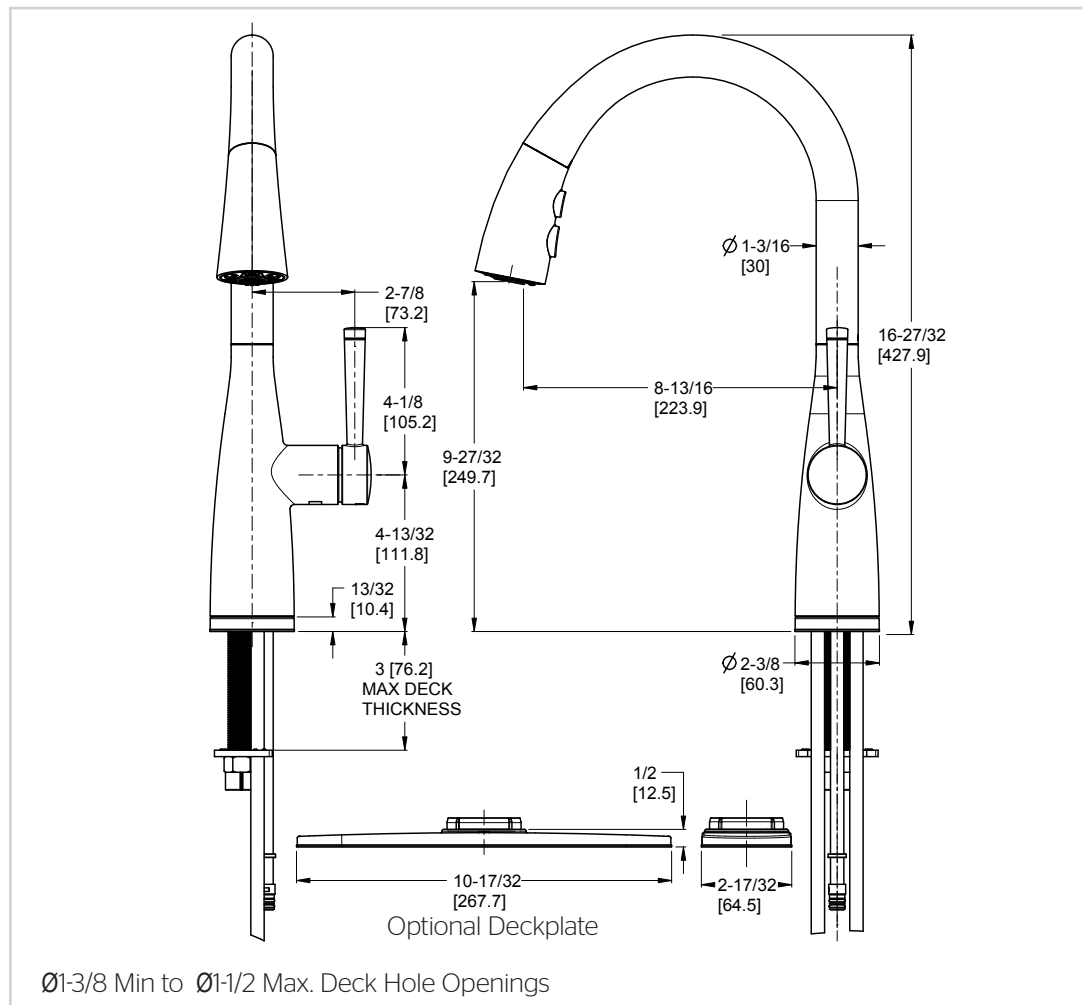
Code Compliance

Pfister products are designed and manufactured in compliance with the following standards and codes:

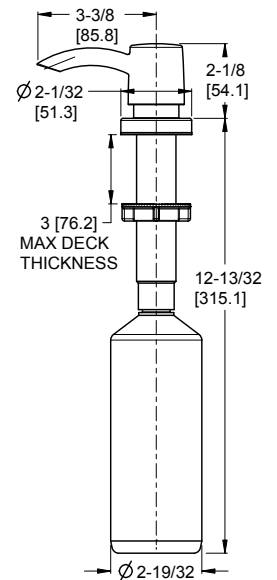
- IAPMO Certified
- CSA B125 Certified
- ASME A112.18.1
- NSF 61/9 Annex G (Low lead)
- CEC Compliant
- Cal Green Compliant
- ADA Compliant-ANSI A117.1 (Lever handles only)
- ASME A112.18.3 (Backflow Prevention)



Dimensions



Top Filling Soap Dispenser



36 Inch Supply Lines with 3/8 Female Compression Brass Connections

