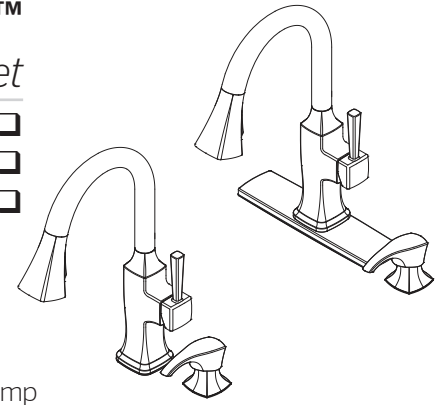


- F529-7KFB Finish(B)
- F529-7KFC Finish(C)
- F529-7KFGS Finish(GS)



Specifications

- One-Hand Soap Pump

Features

- 1.8 GPM Flow Rate
- 1, 2, 3 or 4-Hole Installation; Deck Plate or Single Hole Mounting Option
- 2 Function Sprayer
- 360° Rotating Spout
- AccuDock™ Sprayhead Docking
- Forward Handle Operation
- Mounting Hardware Included
- Spot Defense™ Finish Resists Spots and Fingerprints (GS Finish Only)
- Flex-Line Supply Lines
- Quick Install Tool
- Pfast Connect™
- SoloTilt™ One-Hand Soap Dispenser Included
- Swivel Spout
- TiteSeal™ Deckplate
- Pforever Seal Ceramic Disc Valve
- Pforever Warranty®

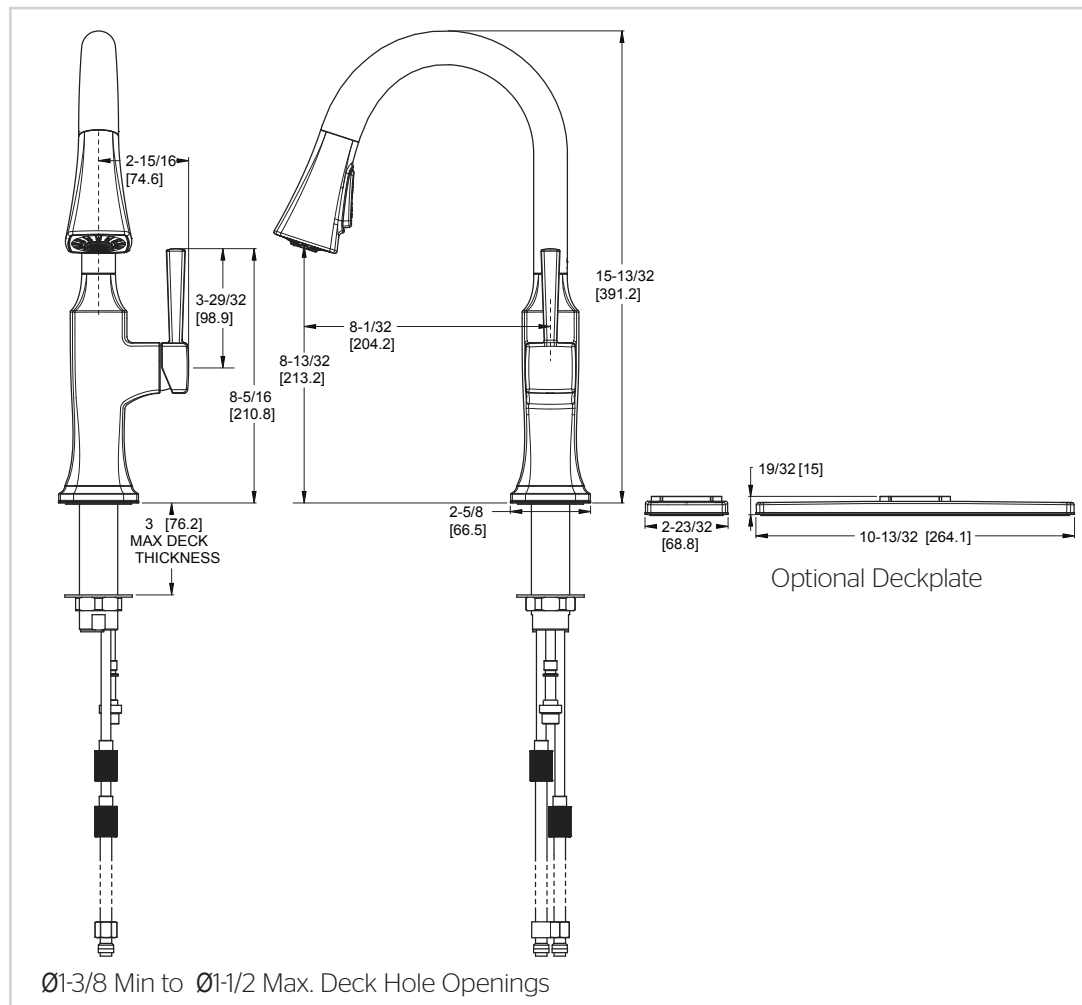
Code Compliance

Pfister products are designed and manufactured in compliance with the following standards and codes:

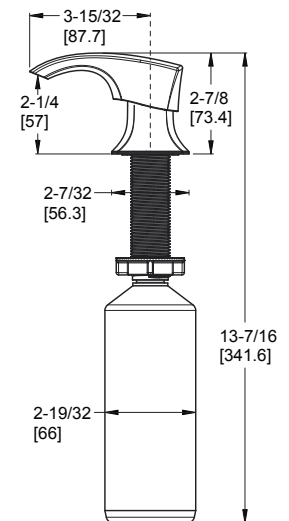
- IAPMO Certified
- CSA B125 Certified
- ASME A112.18.1
- NSF 61/9 Annex G (Low lead)
- CEC Compliant
- Cal Green Compliant
- ADA Compliant-ANSI A117.1
- ASME A112.18.3 (Backflow Prevention)



Dimensions



Top Filling Soap Dispenser



36 Inch Supply Lines with
3/8 Female Compression
Brass Connections

