

PP VERSION



PVDF VERSION



GA Series

PRESSURE GAUGE & ISOLATOR

KEY FEATURES

- All Thermoplastic Combo Gauge & Isolator
- One-Piece Molded Design (No Assembly)
- Heavy Duty Design; Simple to Install
- Completely Corrosion Resistant
- Available with PP body with FPM diaphragm or PVDF Body with PTFE diaphragm
- High Accuracy
- Factory Pre-Filled Glycerin / Vacuum Sealed
- No Filling Required
- Suitable for Corrosive Media + Slurries
- Simple Installation
- Calibration Certified

TECHNICAL INFORMATION

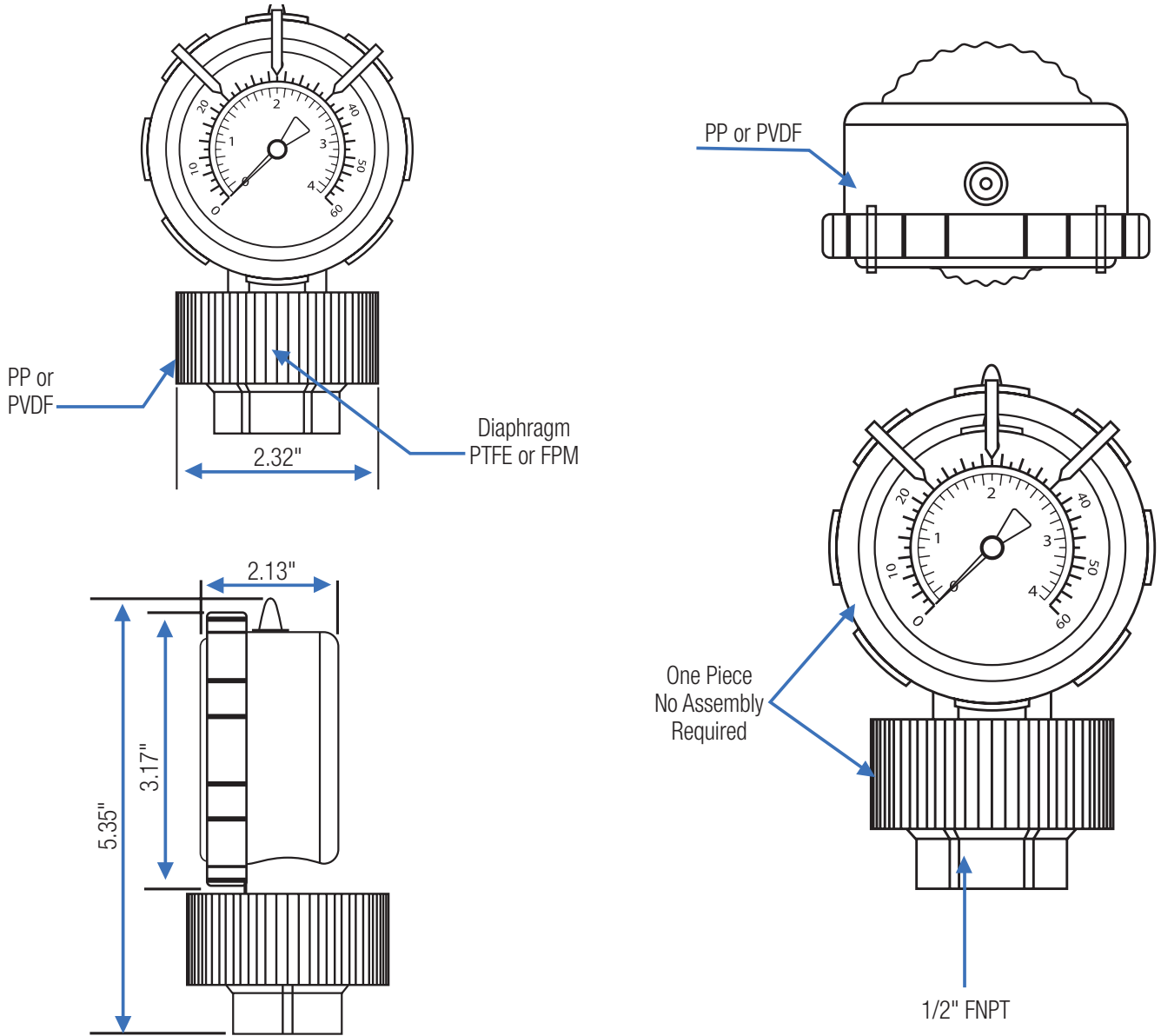
SPECIFICATIONS

DIAL DIAMETER	Large 2-1/2" Face (Big Numbers-Clear Markers)
MOUNTING	Direct Mount, Bottom Connection FNPT 1/2"
HOUSING	PVDF or Polypropylene with FPM or PTFE Diaphragm
LENS	Safety Glass
DIAL	Red & Black Scale White Background, dial arc 270°
MEASURING PRINCIPLE	Bourdon Tube-SS316 (Non Wetted) Diaphragm (Wetted Part) - FPM (Standard)
MOVEMENT	SS316 (Non Wetted)
GAUGE	Red, Yellow, Green Moveable Plastic Markers- Pressure Range Pointers Fitted on the Bezel
CONNECTION	1/2" FNPT
FILLING	Options: Glycerin or Silicone Filled
ACCURACY	±1.5% F.S.
OPERATING TEMPERATURE	Max. Working Temp. PVDF-195°F, PP-170°F
PRESSURE RANGE	Standard Range 0-60 / 0-100 / 0-160 PSI (Second Scale: Bar) Other units available, e.g., bar, MPa, etc.

GA Series

PRESSURE GAUGE & ISOLATOR

DIMENSIONS AND MATERIALS



Hayward is a registered trademark of Hayward Industries, Inc. © 2018 Hayward Industries, Inc.

USA: 1.888.429.4635 • Fax: 1.888.778.8410 • One Hayward Industrial Drive • Clemmons, NC 27012 • Email: hfcsales@hayward.com
Canada: 1.888.238.7665 • Fax: 1.905.829.3636 • 2880 Plymouth Drive • Oakville, ON L6H 5R4 • Email: hflowcanada@hayward.com
Visit us at: haywardflowcontrol.com